

Made in Russia 

Transducers
TIK-DSA
Classifier
421421.000 K1

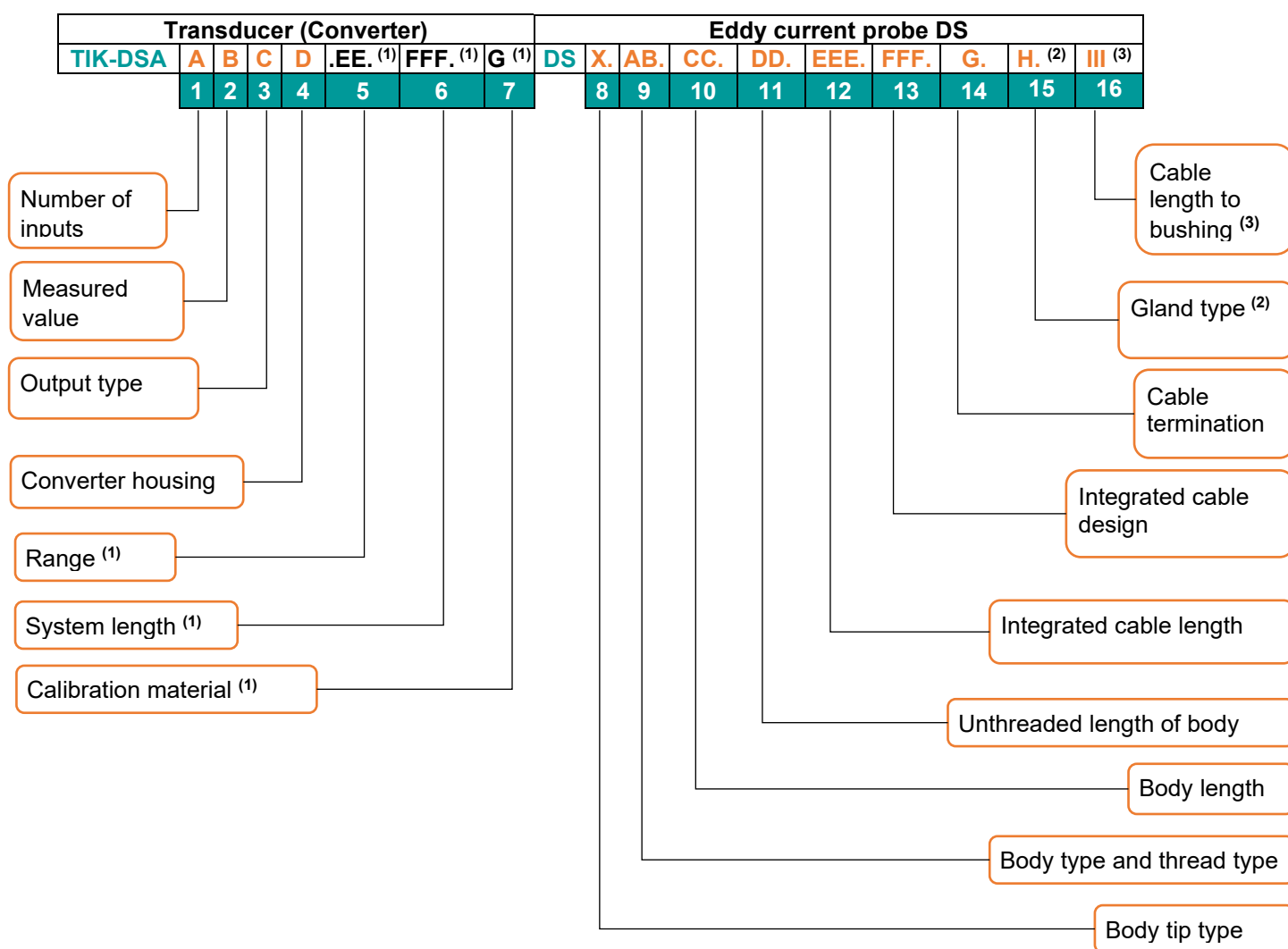
Content

Transducer TIK-DSA	3
• Table 1. Existing transducers (converters).....	4
1. Converter	6
• Table 2. Matching table probe type and transducers DSA13xx, DSA14xx, DSA15xx (transmitter) and indication range	8
• Table 3: Matching table probe type and transducer DSA17xx (converter) and measuring range.	10
Dimensions of transducers	11
2. DS eddy current probe with cylindrical straight body	13
3. Eddy current probe DS with cylindrical straight body. Reverse Mount	19
4. Extension cable for forward and reverse mount probes	21
5. Eddy current probe DS with cylindrical straight body. Converter on cable.....	24
6. Connection cable for probes with converter on the cable	28
7. Mounting kit for probes with forward mounting. Operating pressure up to 1.5 MPa.....	29
8. Mounting kit for reverse mount probe. Working pressure up to 0.2 MPa.	31
9. Mounting kit for reverse mount probe. Working pressure up to 18 MPa.	35
10. Additional accessories	38

Transducer TIK-DSA

The transducer TIK-DSA is designed to measure vibration displacement, gap, rotation speed on the controlled object and convert them into standart signals. It can also be used as a phase reference signal source/

The transducer includes: proximity probes (eddy current type) DS0, DS1, DS2, DS3 and transducer (converter) DSA



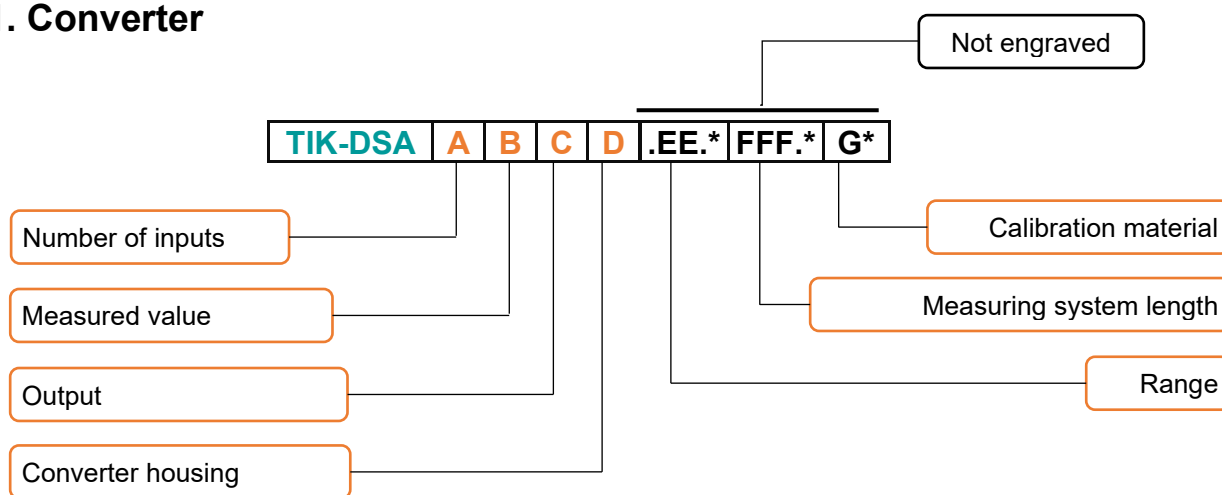
- Note:**
- Registers “E”, “F” and “G” of the transducer (converter) in the encoding are not used or engraved in case of ordering.
 - The “H” register is only for probes with a cylindrical straight body with a converter on the cable.
 - The “I” register is only for probes with a cylindrical straight body with a converter on the cable.

• Table 1. Existing transducers (converters)

Description					Probe DS	Number of channels	Measured value	Output signal	Supply voltage	Converter housing
TIK-DSA	1	3	1	1	DSX	One	Vibration displacement	Passive output, 4-20 mA current loop	12 to 24 V	Plastic housing on a DIN rail
TIK-DSA	1	3	1	5	DSX	One	Vibration displacement	Passive output, 4-20 mA current loop	12 to 24 V	On the cable
TIK-DSA	1	3	5	2	DSX	One	Vibration displacement	Two outputs: active current (4-20 mA); voltage (0...+10 V). With separate power supply	12 to 24 V	Plastic housing with display on the DIN rail
TIK-DSA	1	3	7	1	DSX	One	Vibration displacement	Digital RS-485	12 to 24 V	Plastic housing on a DIN rail
TIK-DSA	1	4	1	1	DSX	One	Gap with averaging	Passive output, 4-20 mA current loop	12 to 24 V	Plastic housing on a DIN rail
TIK-DSA	1	4	1	5	DSX	One	Gap with averaging	Passive output, 4-20 mA current loop	12 to 24 V	On the cable
TIK-DSA	1	4	5	2	DSX	One	Gap with averaging	Two outputs: active current (4-20 mA); voltage (0...+10 V). With separate power supply	12 to 24 V	Plastic housing with display on the DIN rail
TIK-DSA	1	4	7	1	DSX	One	Gap with averaging	Digital RS-485	12 to 24 V	Plastic housing on a DIN rail
TIK-DSA	1	5	1	1	DSX	One	Revolutions per minute (RPM)	Passive output, 4-20 mA current loop	12 to 24 V	Plastic housing on a DIN rail
TIK-DSA	1	5	1	5	DSX	One	Revolutions per minute (RPM)	Passive output, 4-20 mA current loop	12 to 24 V	On the cable
TIK-DSA	1	5	5	2	DSX	One	Revolutions per minute (PRM)	Two outputs: active current (4-20 mA); voltage (0...+10 V). With separate power supply	12 to 24 V	Plastic housing with display on the DIN rail
TIK-DSA	1	5	7	1	DSX	One	Revolutions per minute (RPM)	Digital RS-485	12 to 24 V	Plastic housing on a DIN rail
TIK-DSA	1	6	5	2	DSX	One	Vibration displacement /gap/ RPM	Two outputs: active current (4-20 mA); voltage (0...+10 V). With separate power supply	12 to 24 V	Plastic housing with display on the DIN rail

Description					Probe DS	Number of channels	Measured value	Output signal	Supply voltage	Converter housing
TIK-DSA	1	6	7	1	DSX	One	Vibration displacement /gap/ RPM	Digital RS-485	12 to 24 V	Plastic housing on a DIN rail
TIK-DSA	1	7	1	1	DSX	One	Gap	Passive output, current loop 4-20 mA	12 to 24 V	Plastic housing on a DIN rail
TIK-DSA	1	7	1	5	DSX	One	Gap	Passive output, 4-20 mA current loop	12 to 24 V	On the cable
TIK-DSA	1	7	4	1	DSX	One	Gap	By voltage, linear part of range (-1...-17) V, (-1.6...-17.6) V	-22,8 to -25,2 V	Plastic housing on a DIN rail
TIK-DSA	1	7	5	2	DSX	One	Gap	Two outputs: active current (4-20 mA); voltage (0...+10 V). With separate power supply	12 to 24 V	Plastic housing with display on the DIN rail

1. Converter



* "E", "F" and "G" registers in the encoding are not used or engraved in case of ordering.

Encoding description

A Number of inputs	
1	One
2	-
B Measured value	
1	-
2	-
3	Vibration displacement (P-P evaluation)
4	Gap (average evaluation)
5	Rotation speed (RPM)
6	Vibration displacement /gap/rotation speed
7	Gap
C Output	
1	Passive output, 4-20 mA current loop
3	Voltage (0...+10 V)
4	Voltage, linear part of range (-1...-17 V), (-1.6...-17.6 V)
5	Two outputs: active current (4-20 mA); voltage (0...+10 V). With separate power supply
7	Digital RS-485
D Type of converter housing (Appendix A)	
1	Plastic housing on a DIN rail
2	Plastic housing with display on the DIN rail
3	Plastic housing on a DIN rail (with an SMA connector)
4	-
5	Housing on the cable with connector TIK-KXX

E E Range ⁽⁴⁾			E E Range ⁽⁴⁾			
0	1	0-100 μm (Vibration displacement)	1	4	0,25-2,50 mm (Gap)	
0	2	0-125 μm (Vibration displacement)	1	5	0,25-2,75 mm (Gap)	
0	3	0-250 μm (Vibration displacement)	1	6	0,5-2,5 mm (Gap)	
0	4	0-500 μm (Vibration displacement)	1	7	0,3-4,3 mm (Gap)	
0	5	0-1000 μm (Vibration displacement)	1	8	0,5-4,5 mm (Gap)	
0	6	0-2000 μm (Vibration displacement)	1	9	0,5-5,5 mm (Gap)	
1	0	0,15-2,15 mm (Gap)	2	0	5,5-9,5 mm (Gap)	
1	1	0,2-2,2 mm (Gap)	2	1	1,0-9,0 mm (Gap)	
1	2	0,25-2,25 mm (Gap)	3	0	5-100000 rpm (Rotational speed)	
1	3	0,25-2,30 mm (Gap)				
F F F Measuring system length ⁽⁴⁾						
0	5	0			5,0 m	
0	7	0			7,0 m	
1	0	0			10,0 m	
G Calibration material ⁽⁴⁾						
40X ⁽¹⁾	38XH3MΦA	38X2H2MA	30X13	20X13	Ст3пс	20
45	38XM ⁽³⁾	40XH2MA	12XH3A	42XΦA ⁽³⁾	07X16H4Д4Б	35
08X18H10T	18X2H4BA	09Г2С	12X18H10T	SM45C	SD1.4501	X ⁽²⁾

Notes:

1. If the material type is not specified in the order, 40X steel (G = 40X) will be used for calibration.
2. Calibration for other materials can be performed on request, provided that a sample is provided (a disc with a diameter of at least 70 mm and a thickness of 20 mm).
3. Equivalent of AISI 4140 (42CrMo4 / 1.7225).
4. Registers are not used in the encoding in case of ordering and not engraved. These parameters are indicated on the label.

Example of order:

TIK-DSA1311

Transducer TIK-DSA with one input. Measured value is the vibration displacement in Peak-to-Peak evaluation. Output signal is a 4-20 mA current loop. Housing is on a DIN rail.

• Table 2. Matching table probe type and transducers DSA13xx, DSA14xx, DSA15xx (transmitter) and indication range.

Type of measurement	Output signal	Indication range	Conversion factor	Eddy current probe			
				DS0	DS1	DS2	DS3
Vibration displacement (P-P) (B = 3)	Passive output 4-20 mA current loop	EE = 01 0-100 μm	0,16 mA/ μm	Yes	Yes	Yes	Yes
		EE = 02 0-125 μm	0,128 mA/ μm				
		EE = 03 0-250 μm	0,064 mA/ μm				
		EE = 04 0-500 μm	0,032 mA/ μm				
		EE = 05 0-1000 μm	0,016 mA/ μm				
		EE = 06 0-2000 μm	0,008 mA/ μm				
	Voltage (0...+10 V)	EE = 01 0-100 μm	0,1 V/ μm				
		EE = 02 0-125 μm	0,08 V/ μm				
		EE = 03 0-250 μm	0,04 V/ μm				
		EE = 04 0-500 μm	0,02 V/ μm				
		EE = 05 0-1000 μm	0,01 V/ μm				
		EE = 06 0-2000 μm	0,005 V/ μm				
	Digital RS-485	EE = 01 0-100 μm					
		EE = 02 0-125 μm					
		EE = 03 0-250 μm					
		EE = 04 0-500 μm					
		EE = 05 0-1000 μm					
		EE = 06 0-2000 μm					
Gap (aver.) (B = 4)	Passive output, 4-20 mA current loop	EE = 10 0,15-2,15 mm	8 mA/mm	Yes	Yes	No	No
		EE = 11 0,2-2,2 mm					
		EE = 12 0,25-2,25 mm					
		EE = 13 0,25-2,30 mm	7,8 mA/mm				
		EE = 14 0,25-2,50 mm	7,11 mA/mm				
		EE = 15 0,25-2,75 mm	6,4 mA/mm				
		EE = 16 0,5-2,5 mm	8 mA/mm				

Gap (aver.) (B = 4)	Passive output, 4-20 mA current loop	EE = 17	0,3-4,3 mm	4 mA/mm	No	No	Yes	No
		EE = 18	0,5-4,5 mm				No	Yes
		EE = 19	0,5-5,5 mm	3,2 mA/mm			No	No
		EE = 20	5,5-9,5 mm	4 mA/mm			No	Yes
		EE = 21	1,0-9,0 mm	2 mA/mm			No	Yes
	Voltage (0...+10 V)	EE = 10	0,15-2,15 mm	5 V/mm	Yes	Yes	No	No
		EE = 11	0,2-2,2 mm					
		EE = 12	0,25-2,25 mm					
		EE = 13	0,25-2,30 mm	4,88 V/mm				
		EE = 14	0,25-2,50 mm	4,44 V/mm				
		EE = 15	0,25-2,75 mm	4 V/mm				
		EE = 16	0,5-2,5 mm	5 V/mm				
		EE = 17	0,3-4,3 mm	2,5 V/mm				
		EE = 18	0,5-4,5 mm					
		EE = 19	0,5-5,5 mm	2 V/mm				
	EE = 20	5,5-9,5 mm	2,5 V/mm					
	EE = 21	1,0-9,0 mm	1,25 V/mm					
	Digital RS-485	EE = 10	0,15-2,15 mm	5 V/mm	Yes	Yes	No	No
		EE = 11	0,2-2,2 mm					
		EE = 12	0,25-2,25 mm					
		EE = 13	0,25-2,30 mm					
EE = 14		0,25-2,50 mm						
EE = 15		0,25-2,75 mm						
EE = 16		0,5-2,5 mm						
EE = 17		0,3-4,3 mm	2,5 V/mm					
EE = 18		0,5-4,5 mm						
EE = 19		0,5-5,5 mm						
EE = 20	5,5-9,5 mm							
EE = 21	1,0-9,0 mm	1,25 V/mm						
Rotation speed (RPM) (B = 5)	Passive output, 4-20 mA current loop	EE = 30	5-100000 rpm	0,00016 – 0,16 mA/(rpm)	Yes	Yes	Yes	No
	Voltage (0...+10 V)	EE = 31	5-100000 rpm	0,0001 – 0,1 V/(rpm)			No	Yes
	Digital RS-485	EE = 32	5-100000 rpm				No	Yes

• Table 3: Matching table probe type and transducer DSA17xx (converter) and measuring range.

Type of measurement	Output signal	Measuring range (Linear part)	Incremental scale factor (ISF)	Eddy current probe							
				DS0	DS1	DS2	DS3				
Gap (B = 7)	Passive output 4-20 mA current loop	EE = 10	0,15-2,15 mm	8 mA/mm	Yes	Yes	No	No			
		EE = 11	0,2-2,2 mm								
		EE = 12	0,25-2,25 mm								
		EE = 13	0,25-2,30 mm	7,8 mA/mm							
		EE = 14	0,25-2,50 mm	7,11 mA/mm							
		EE = 15	0,25-2,75 mm	6,4 mA/mm							
		EE = 16	0,5-2,5 mm	8 mA/mm							
		EE = 17	0,3-4,3 mm	4 mA/mm							
		EE = 18	0,5-4,5 mm								
		EE = 19	0,5-5,5 mm	3,2 mA/mm					No	No	Yes
		EE = 20	5,5-9,5 mm	4 mA/mm							No
	EE = 21	1,0-9,0 mm	2 mA/mm								
	Voltage, linear part of range (-1...-17 V), (-1.6...-17.6 V)		EE = 10	0,15-2,15 mm	8 V/mm	Yes	Yes	No	No		
			EE = 11	0,2-2,2 mm							
			EE = 12	0,25-2,25 mm							
			EE = 13	0,25-2,30 mm	7,8 V/mm						
			EE = 14	0,25-2,50 mm	7,11 V/mm						
			EE = 15	0,25-2,75 mm	6,4 V/mm						
			EE = 16	0,5-2,5 mm	8 V/mm						
			EE = 17	0,3-4,3 mm	4 V/mm						
			EE = 18	0,5-4,5 mm							
			EE = 19	0,5-5,5 mm	3,2 V/mm					No	No
EE = 20			5,5-9,5 mm	4 V/mm	No						
EE = 21	1,0-9,0 mm	2 V/mm									

Dimensions of transducers

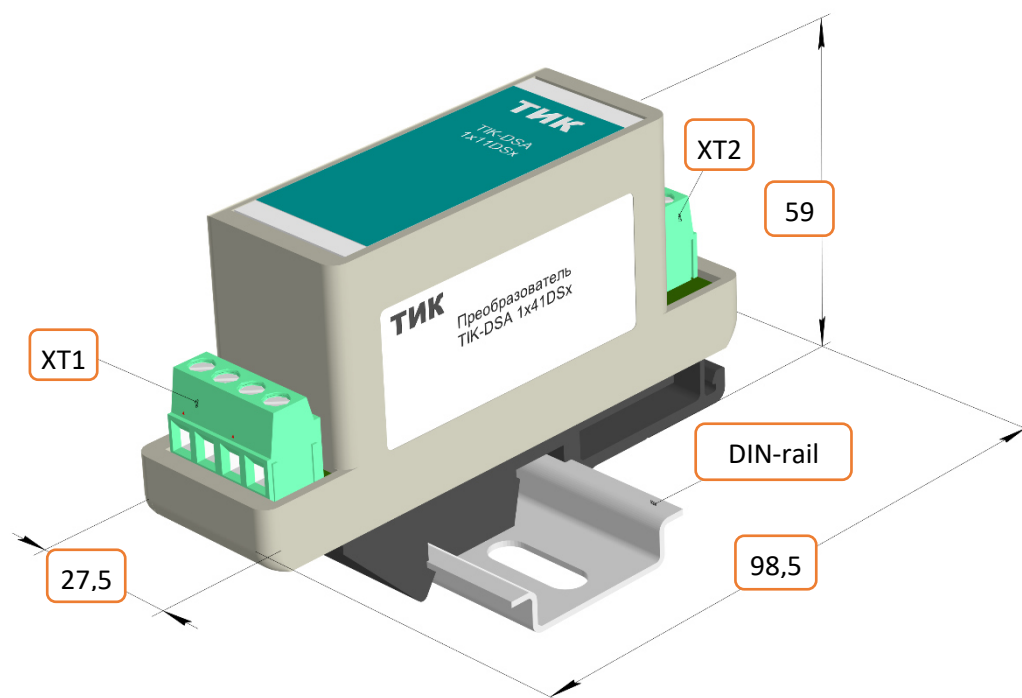


Fig.1 Plastic housing on a DIN rail

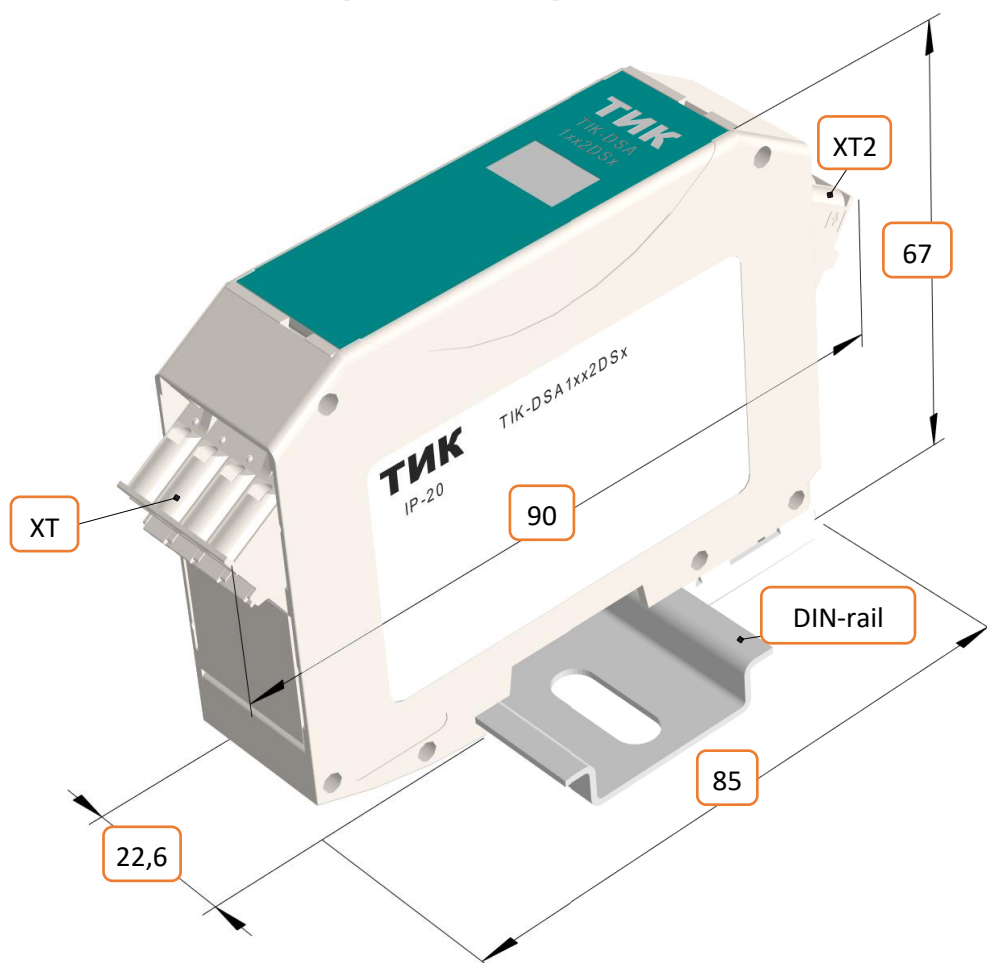


Fig.2 Plastic housing on a DIN rail with display

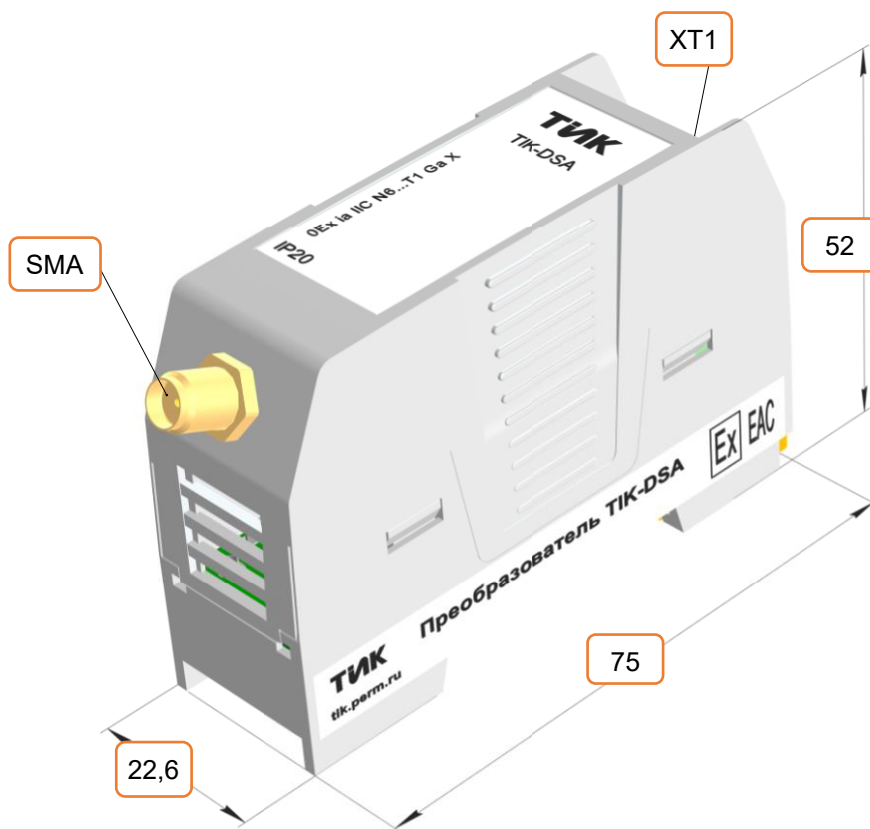


Fig.3 Plastic housing on a DIN rail with SMA connector

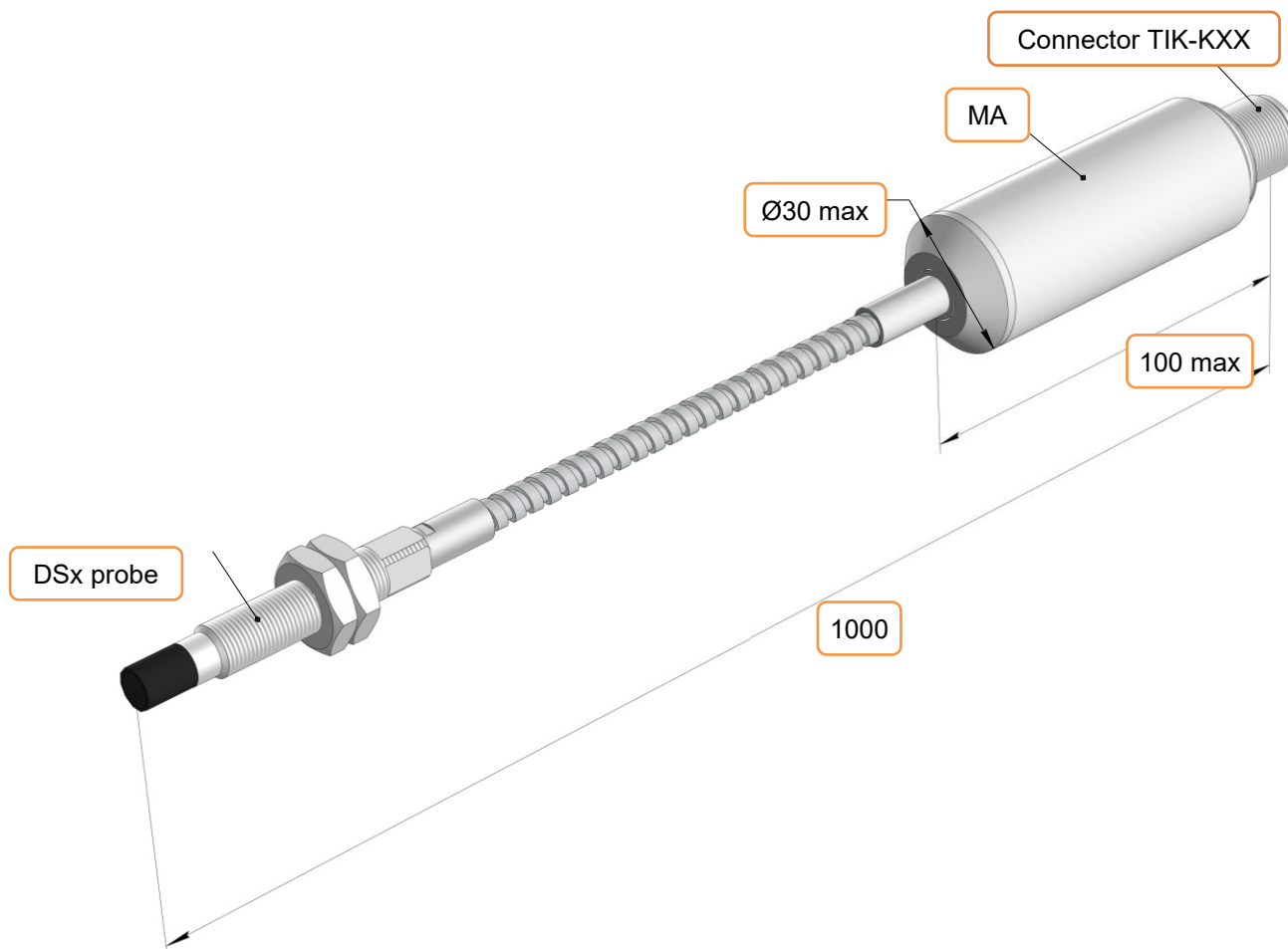
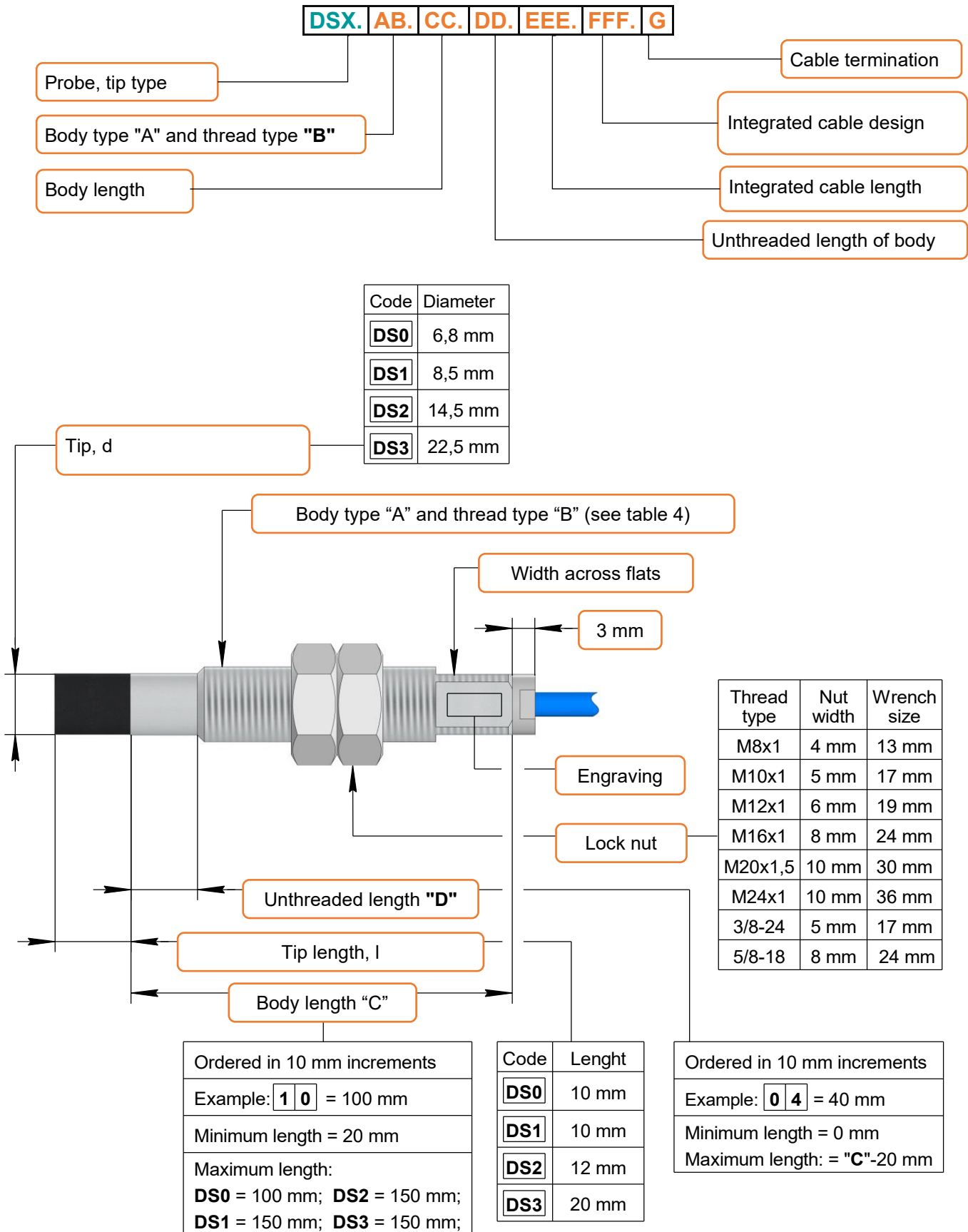
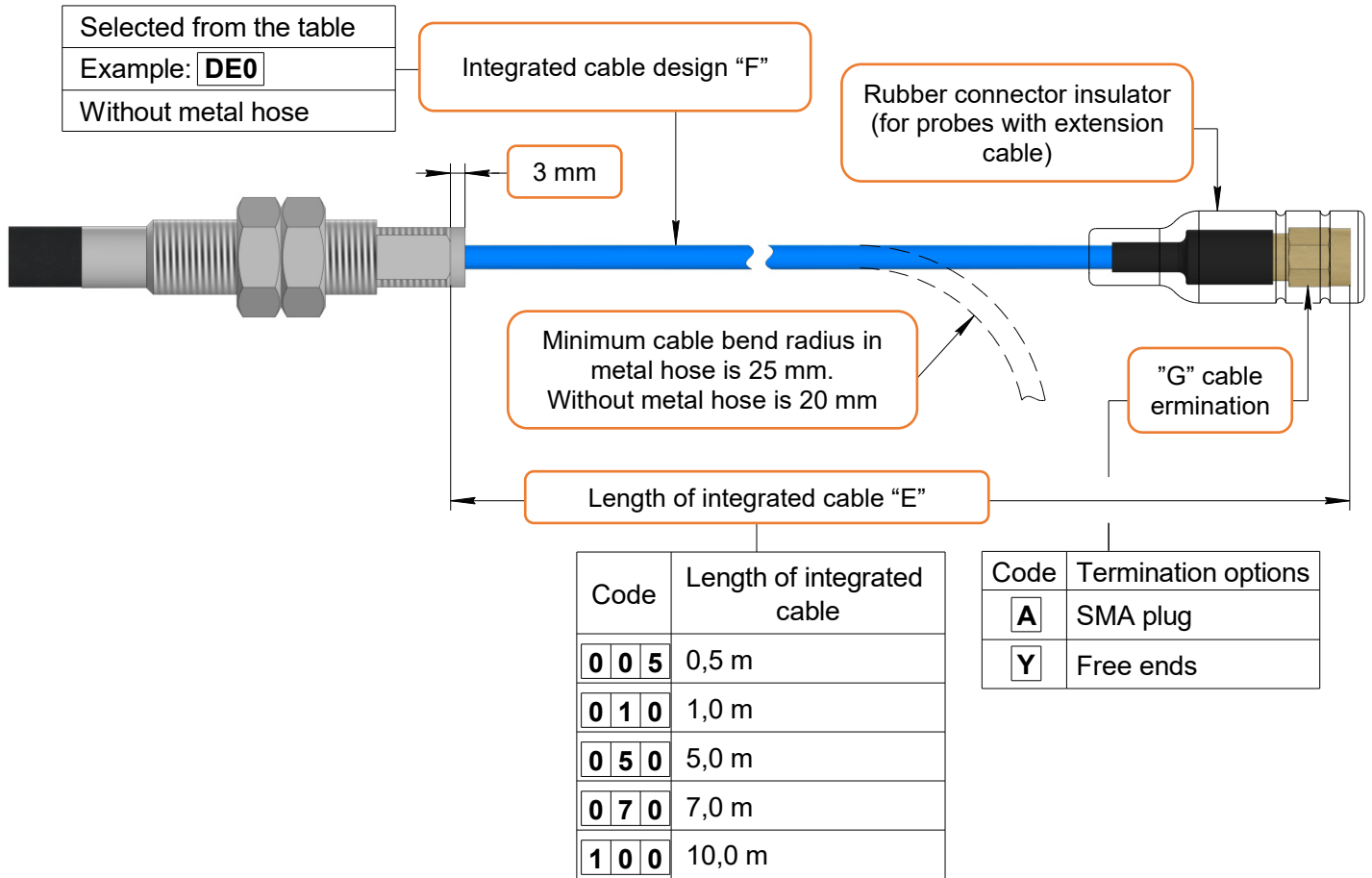


Fig.4 Converter on the cable with connector TIK-KXX

2. DS eddy current probe with cylindrical straight body





Encoding description

X Probe tip type

Table 4

X	d, mm	l, mm	Thread type							
			Metric						Inch	
			M8x1	M10x1	M12x1	M16x1	M20x1,5	M24x1	3/8-24 UNF	5/8-18 UNF
DS0	6,8	10	A	B					C	
DS1	8,5	10		A	B				C	
DS2	14,5	12				A	B			C
DS3	22,5	20						A		
Width across flats, mm			7	8	10	11	13	21	8	13
Lock nut	Wrench size, mm		13	17	19	24	30	36	17	24
	Nut height, mm		4	5	6	8	10	10	5	8

A		Body type
1	Cylindrical straight body (Forward Mount)	
2	Reverse Mount	
3	Cylindrical straight body with converter on the cable	
4	Smooth Case	
B		Thread type (see table 4)
A	Main metric thread of the probe body	
B	Additional metric thread of the probe body	
C	Main inch thread of the probe body	
D	Additional inch thread of the probe body	
C		Body length
Ordered in 10 mm increments		Example: 0 2 = 20 mm
Minimum body length: 20 mm		
Maximum body length: For DS0 = 100 mm; For DS1, DS2, DS3 = 150 mm		
D		Unthreaded length of body
Ordered in 10 mm increments		Example: 0 4 = 40 mm
Minimum unthreaded length: 0 mm ⁽¹⁾		
Maximum unthreaded length: = body length "C" - 20 mm ⁽²⁾		

Note:

1. Unthreaded length = 0 mm in the standard option.
2. Unthreaded length in the order shall be less than the body length "C" minus 20 mm. The maximum unthreaded length for DS0 = 80 mm, for DS1, DS2, DS3 = 130 mm.

E	E	E	Integrated cable length
0	0	5	0.5 m (+ 4.5 m, 6.5 m, or 9.5 m extension cable TIK-EC)
0	1	0	1.0 m (+ 4.0 m, 6.0 m, or 9.0 m extension cable TIK-EC)
0	5	0	5,0 м
0	7	0	7,0 м
1	0	0	10,0 м

Note: The TIK-EC extension cable shall be ordered separately (see section 4). Non-standard length of the integrated cable can be provided under an individual order.

F	F	F	Integrated cable design (see table 5)
D	E	0	Without metal hose
X	P	0	Snake-skin braid FORTISFLEX XP-3
D	N	0	Stainless steel metal hose DN4
N	P	0	Stainless steel metal hose DN4 in PVC sheath
N	F	0	Stainless steel metal hose DN4 in FEP sheath

Note: The cable is 50 ohms, maximum cable diameter is 3.2 mm, maximum cable diameter in metal hose is 6.2 mm. Non-standard design of the integrated cable can be provided under an individual order.

G	Cable termination option
A	SMA connector ⁽⁴⁾
Y	Free ends (cable prepared for terminals) ⁽³⁾

Note:

3. In the standard option the cable ends are prepared for terminals for connection to the converter.

4. The SMA connector is used to connect the integrated cable to an extension cable or to a converter with an SMA connector.

Table 5: Design of integrated cable “F”

Code			Description	Figure
F	F	F		
D	E	0	Cable without metal hose	
X	P	0	Snake-skin braid FORTISFLEX XP-3	
D	N	0	Stainless steel metal hose DN4	
N	P	0	Stainless steel metal hose DN4 in PVC sheath	
N	F	0	Stainless steel metal hose DN4 in FEP sheath	

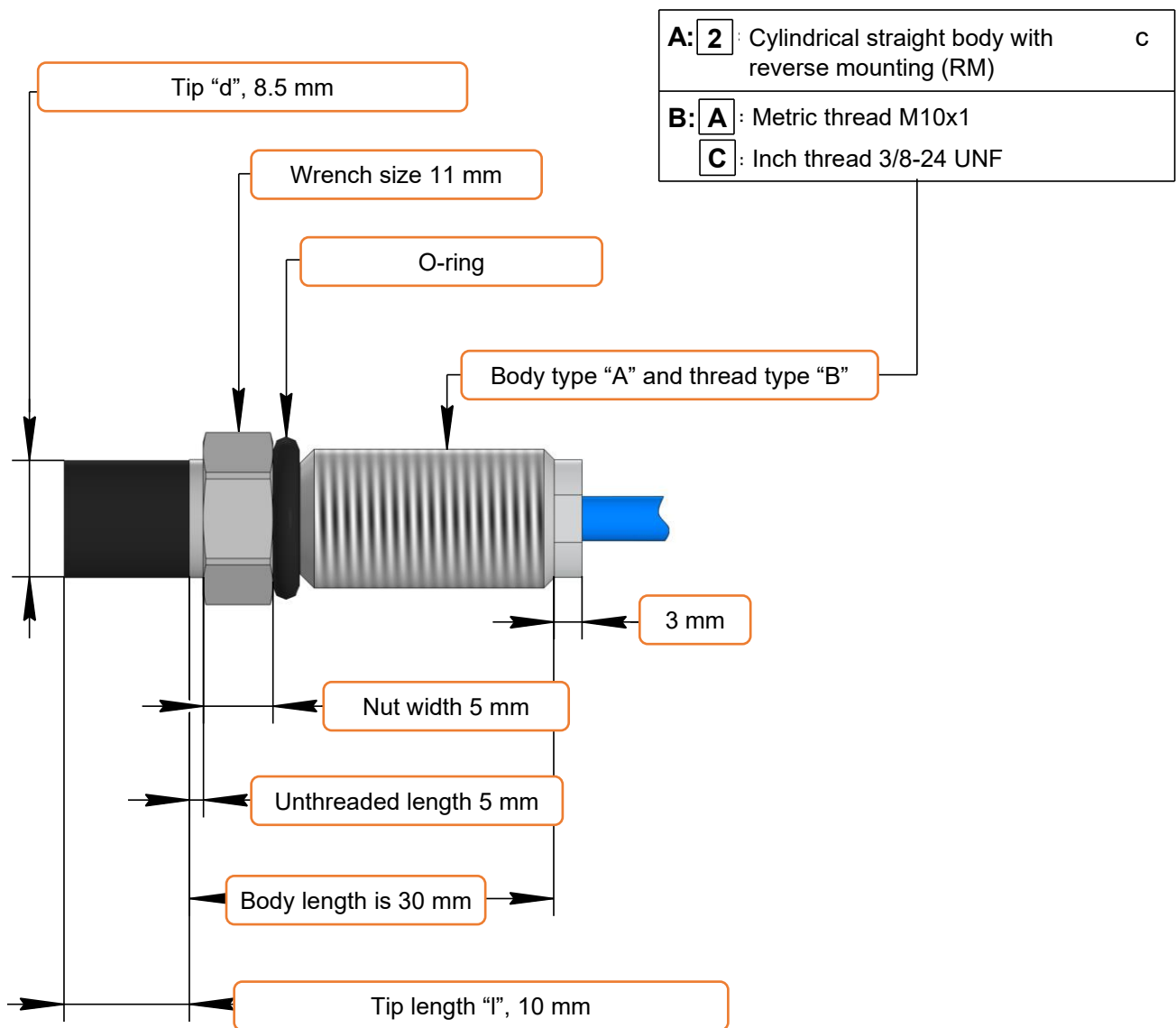
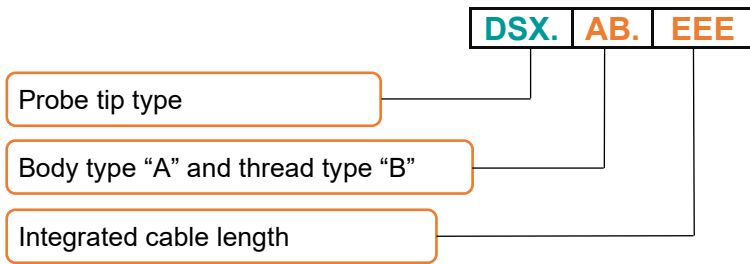
Example of order:**DS1.1A.15.02.050.XP0.A**

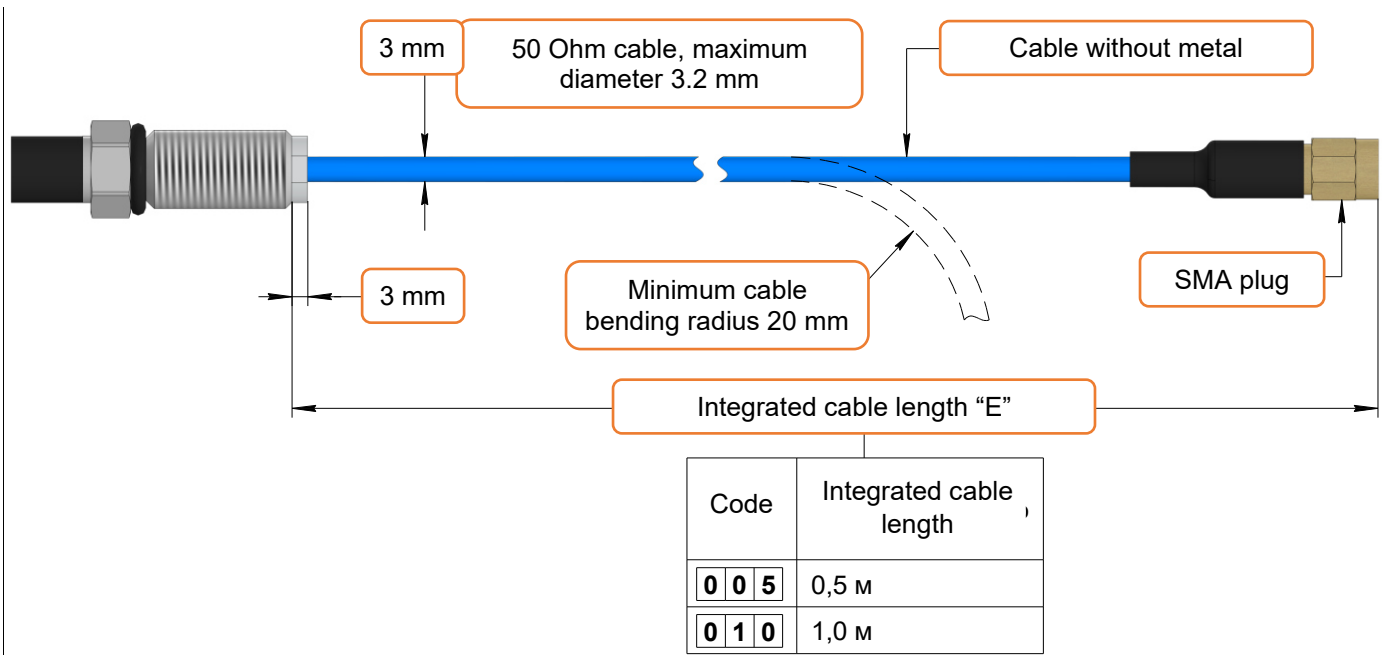
DS1 probe with cylindrical straight body (for forward mount) and body thread M10x1. The body length is 150 mm, the unthreaded length of body is 20 mm. Integrated cable length is 5.0 m, with FORTISFLEX XP-3 snake-skin braid, cable termination is SMA connector.

DS2.1B.15.04.100.DN0.Y

DS2 probe with cylindrical straight body (for forward mount) and body thread M20x1.5. The body length is 150 mm, the unthreaded length of body is 40 mm. Integrated cable length is 10.0 m, with Stainless steel metal hose DN4, cable termination is free ends.

3. Eddy current probe DS with cylindrical straight body. Reverse Mount





Encoding description

X	Probe tip type
----------	-----------------------

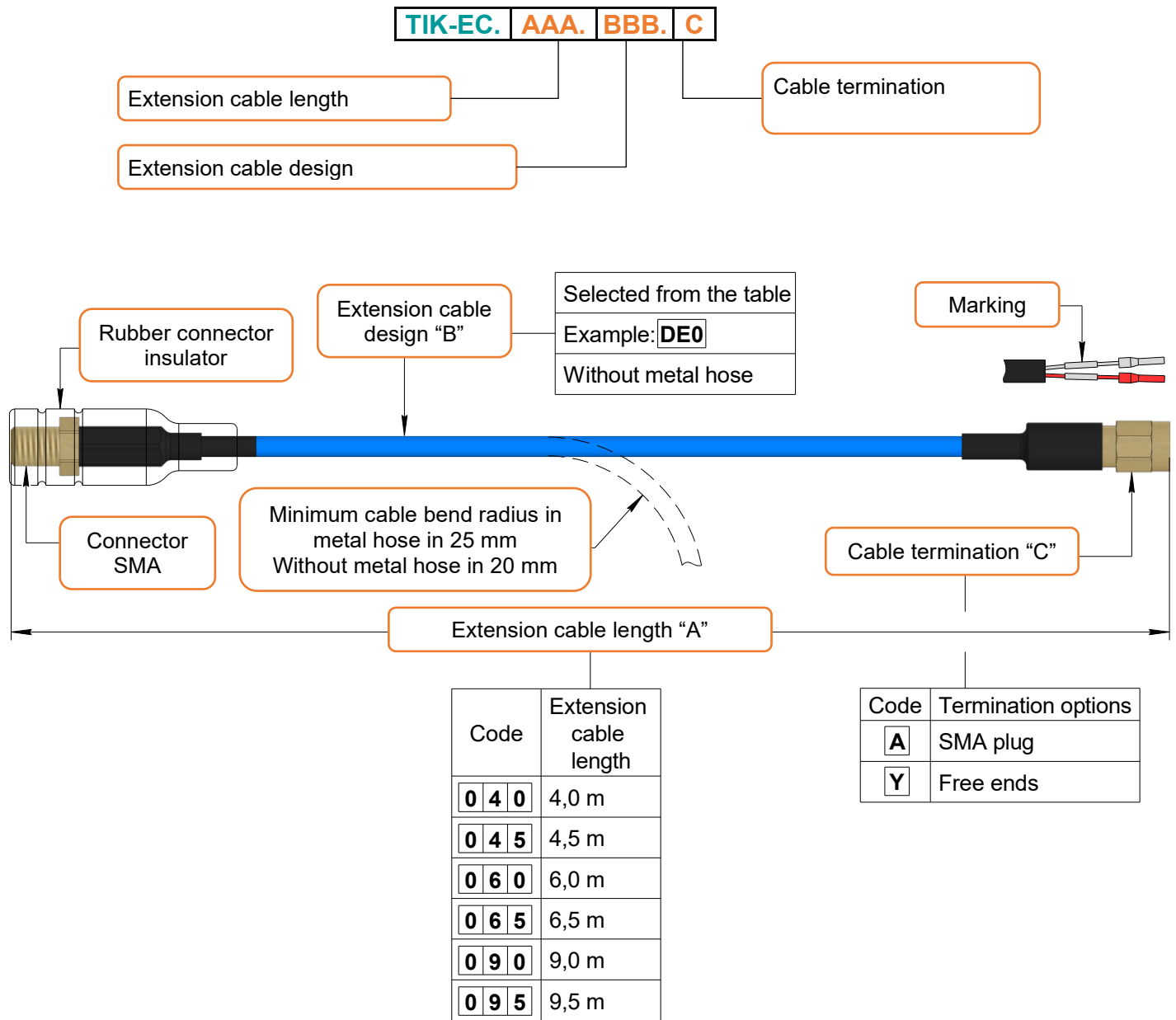
Table 6

X	d, mm	l, mm	Thread type	
			Metric	Inch
			M10x1	3/8-24 UNF
DS1	8,5	10	A	C
Wrench size, mm			11	

A	Body type		
1	Cylindrical straight body		
2	Reverse Mount		
3	Cylindrical straight body with converter on the cable		
4	Smooth Case		
B	Thread type (see table 6)		
A	Main metric thread of the probe body		
C	Additional metric thread of the probe body		
E	E	E	Integrated cable length
0	0	5	0.5 m (+ 4.5 m, 6.5 m, or 9.5 m extension cable TIK-EC)
0	1	0	1.0 m (+ 4.0 m, 6.0 m, or 9.0 m extension cable TIK-EC)

Note: The TIK-EC extension cable shall be ordered separately (see section 4).

4. Extension cable for forward and reverse mount probes



Encoding description

A	A	A	Extension cable length
0	4	0	4,0 m
0	4	5	4,5 m
0	6	0	6,0 m
0	6	5	6,5 m
0	9	0	9,0 m
0	9	5	9,5 m

Note: Non-standard extension cable can be provided under an individual order.

B	B	B	Extension cable design (see table 7)
D	E	0	Without metal bushing
X	P	0	“Snakeskin” braiding FORTISFLEX XP-3
D	N	0	Stainless steel metal hose DN4
N	P	0	Stainless steel metal hose DN4 in PVC sheathed
N	F	0	Stainless steel metal hose DN4 in FEP sheathing

Note: The cable is 50 ohms, maximum cable diameter is 3.2 mm, maximum cable diameter in a metal hose is 6.2 mm. Non-standard extension cable can be provided under an individual order.

C	Cable termination for connection to the converter
A	SMA connector ⁽²⁾
Y	Free ends (Cable prepared for terminals) ⁽¹⁾

Note:

1. In the standard option the cable are prepared for terminals for connection to the converter.
2. The SMA connector is used to connect the integrated cable to an extension cable or to a converter with an SMA connector.

Table 7: Extension cable design “B”

Code			Description	Figure
B	B	B		
D	E	0	Cable without metal hose	
X	P	0	Snake-skin braid FORTISFLEX XP-3	
D	N	0	Stainless steel metal hose DN4	
N	P	0	Stainless steel metal hose DN4 in PVC sheath	
N	F	0	Stainless steel metal hose DN4 in FEP sheath	

Example of order:

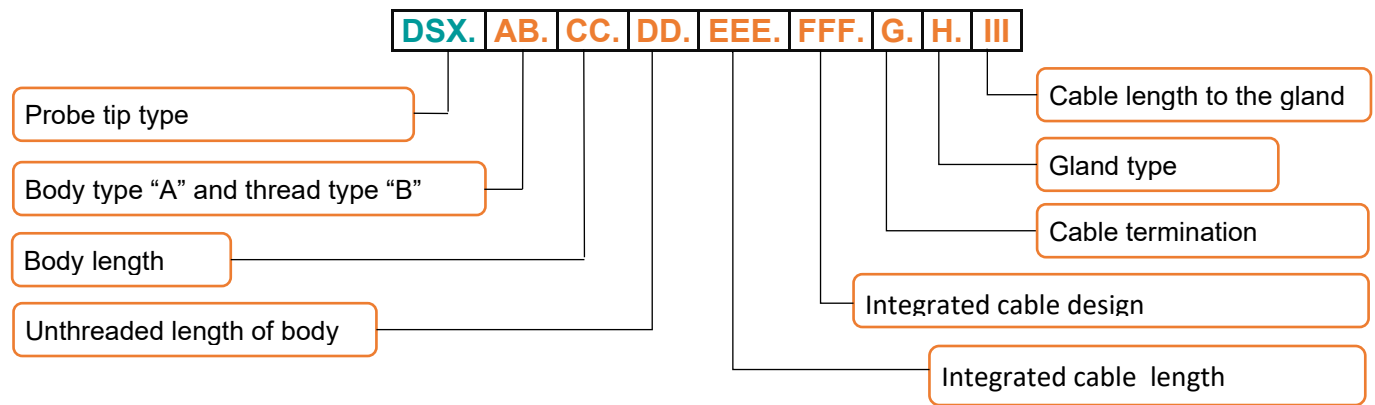
TIK-EC.090.XP0.A

Extension cable TIK-EC with a length of 9.0 m in snake-skin braid FORTISFLEX XP-3 with SMA connector.

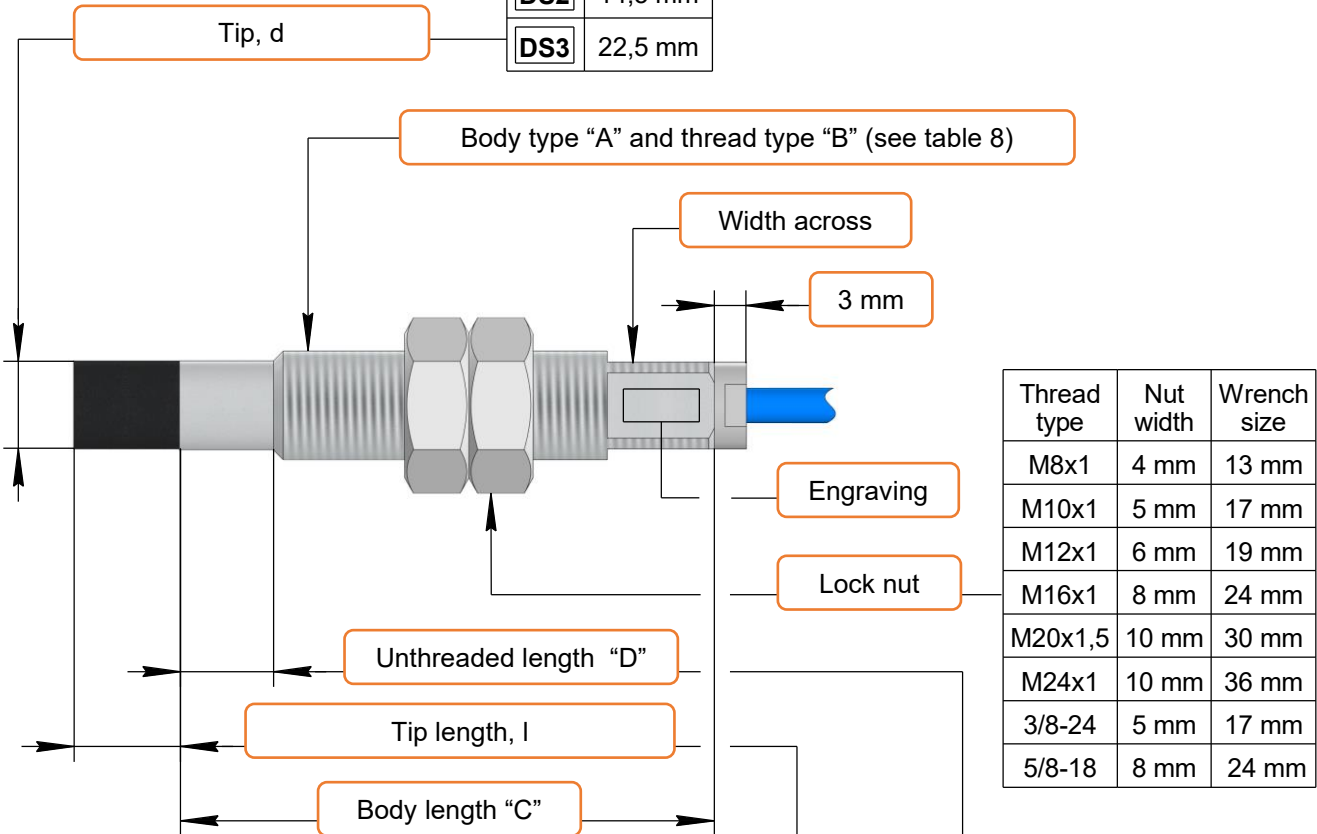
TIK-EC.060.DN0.Y

Extension cable TIK-EC with a length of 6.0 m in a metal hose DN4 prepared for terminals.

5. Eddy current probe DS with cylindrical straight body. Converter on cable



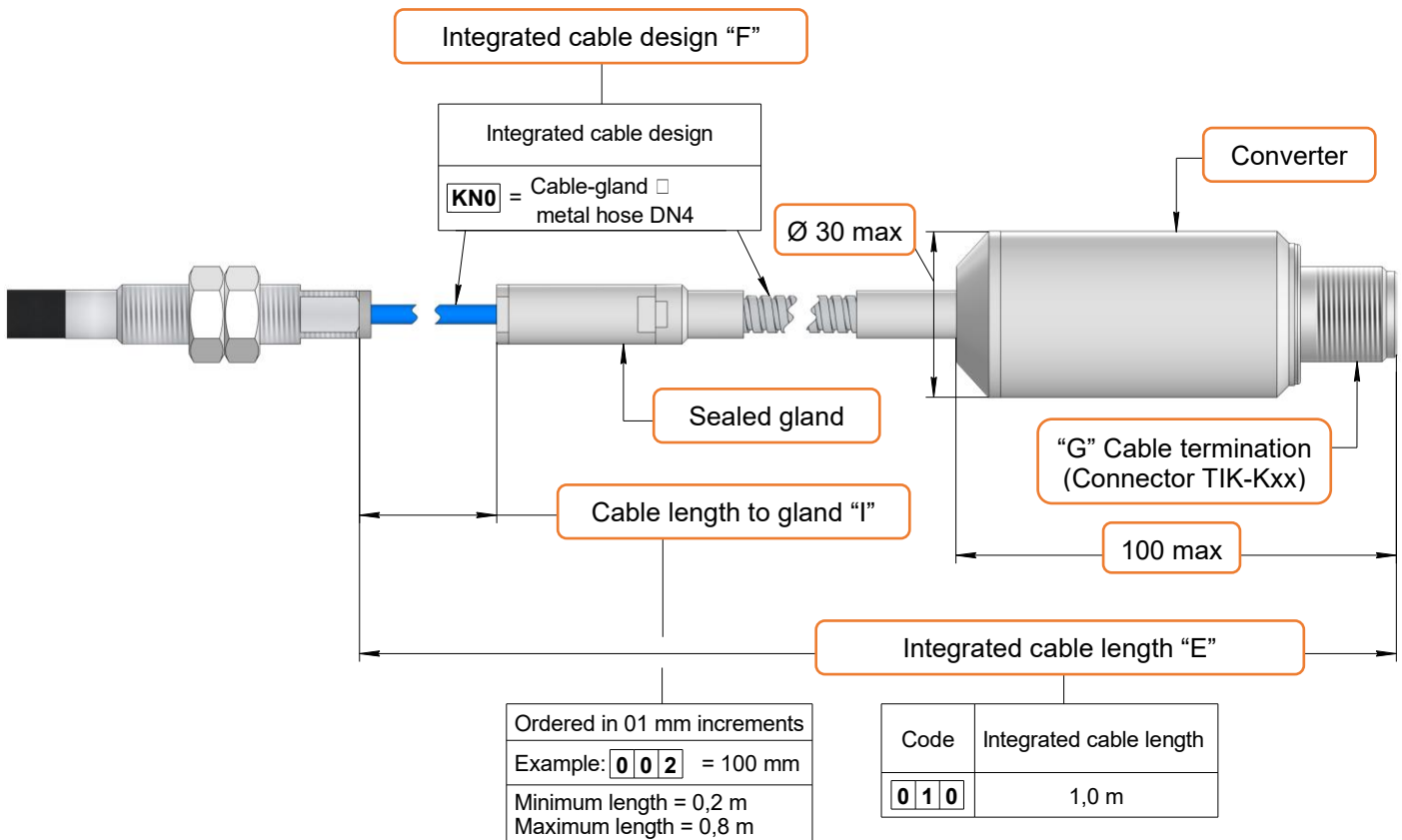
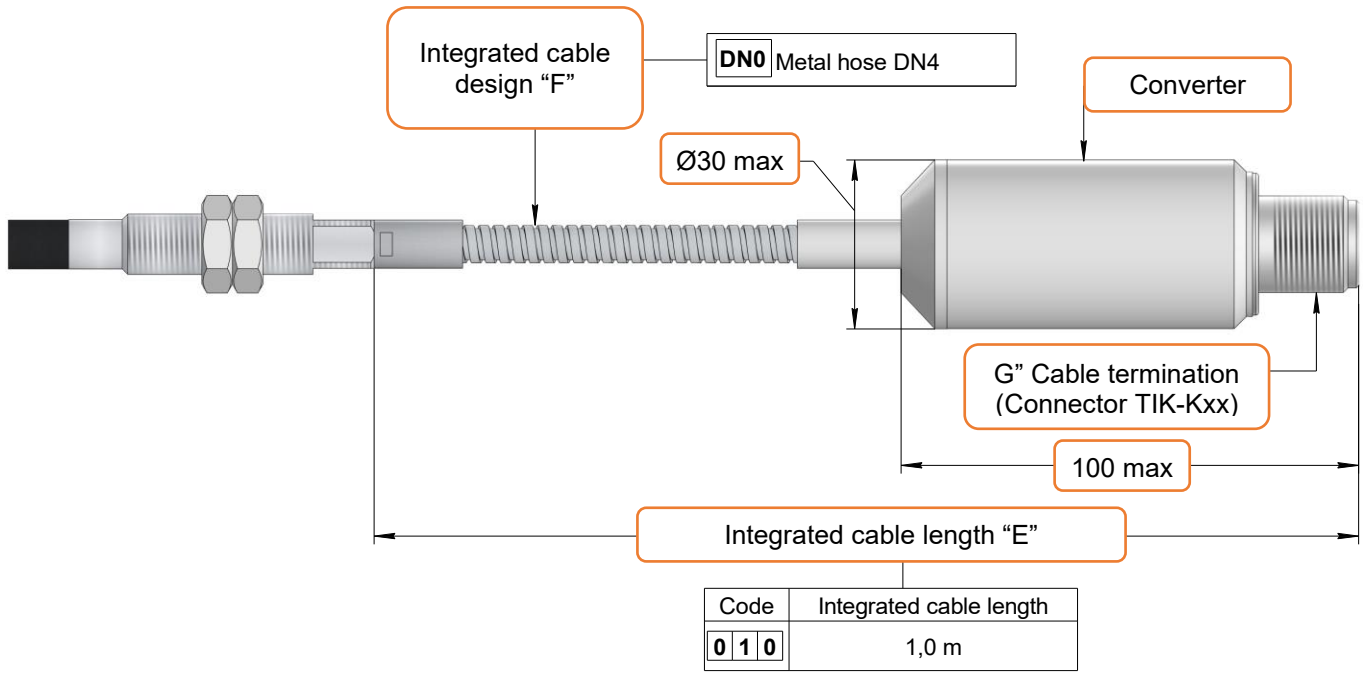
Code	Diameter
DS0	6,8 mm
DS1	8,5 mm
DS2	14,5 mm
DS3	22,5 mm



Ordered in 10 mm increments
 Example: **1 0** = 100 mm
 Minimum length = 20 mm
 Maximum length:
 DS0 = 100 mm; DS2 = 150 mm;
 DS1 = 150 mm; DS3 = 150 mm;

Code	Length
DS0	10 mm
DS1	10 mm
DS2	12 mm
DS3	20 mm

Ordered in 10 mm increments
 Example: **0 4** = 40 mm
 Minimum length = 0 mm
 Maximum length = "C"-20 mm



Encoding description
X Probe tip type

Table 8

X	d, mm	l, mm	Thread type							
			Metric						Inch	
			M8x1	M10x1	M12x1	M16x1	M20x1,5	M24x1	3/8-24 UNF	5/8-18 UNF
DS0	6,8	10	A	B					C	
DS1	8,5	10		A	B				C	
DS2	14,5	12				A	B			C
DS3	22,5	20						A		
Width across flats, mm			7	8	10	11	13	21	8	13
Lock nut	Wrench size, mm		13	17	19	24	30	36	17	24
	Nut height, mm		4	5	6	8	10	10	5	8

A Body type

1	Cylindrical straight body
2	Reverse Mount
3	Cylindrical straight body with converter on the cable
4	Smooth Case

B Thread type (see table 8)

A	Main metric thread of the probe body
B	Additional metric thread of the probe body
C	Main inch thread of the probe body
D	Additional inch thread of the probe body

C C Body length

Ordered in 10 mm increments	Example: 0 2 = 20 mm
Minimum body length: 20 mm	
Maximum body length:	For DS0 = 100 mm; For DS1, DS2, DS3 = 200 mm

D D Unthreaded length of body

Ordered in 10 mm increments	Example: 0 4 = 40 mm
Minimum unthreaded length: 0 mm ⁽¹⁾	
Maximum unthreaded length: = body length "C" - 20 mm ⁽²⁾	

Note:
 1 Unthreaded length = 0 mm in the standard option.
 2. Unthreaded length in the order shall be less than the body length "C" minus 20 mm. The maximum unthreaded length for DS0 = 80 mm, for DS1, DS2, DS3 = 130 mm.

E	E	E	Integrated cable length
0	1	0	1,0 m (+ connection cable TIK-EC1 with lengths of 4.0 m, 9.0 m or 14.0 m)

Note: The connection cable TIK-EC1 shall not be ordered separately (see section 6). Non-standard integrated cable can be provided under an individual order.

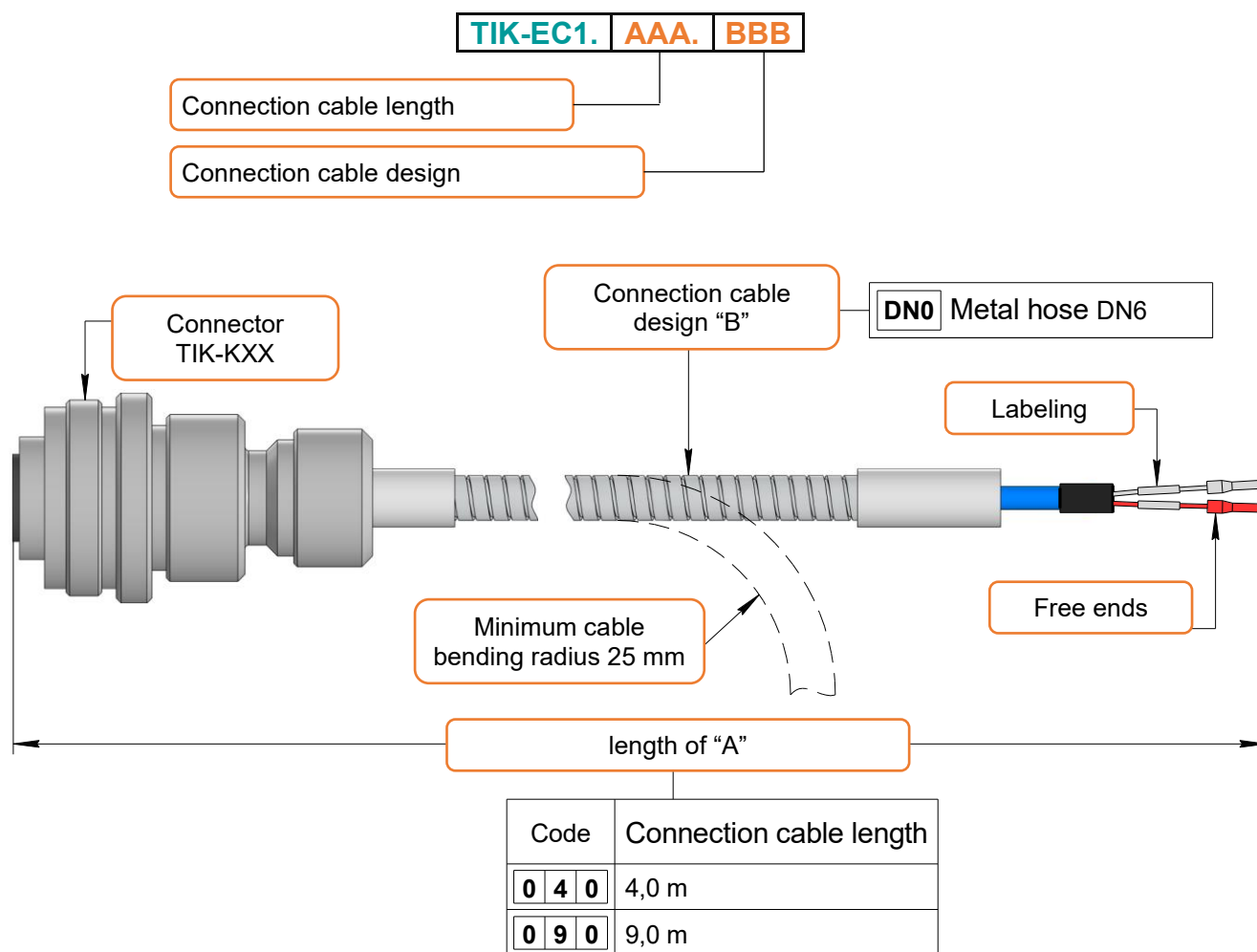
F	F	F	Integrated cable design
D	N	0	Stainless steel metal hose DN4
D	P	0	Stainless steel metal hose DN4 in PVC sheath
D	F	0	Stainless steel metal hose DN4 in FEP sheath
K	N	0	Cable - gland - stainless steel metal hose DN4
K	P	0	Cable - gland- stainless steel metal hose DN4 in PVC sheath
K	F	0	Cable - gland- stainless steel metal hose DN4 4 in FEP sheath

G	Cable termination option
C	Connector TIK-Kxx
H	Type of bushing
0	Without gland
1	With sealing gland

Note:
The cable is 50 ohms, the maximum diameter of the cable is 3.2 mm, the maximum diameter of the cable in the metal hose is 6.2 mm. Minimum bending radius of the cable in the metal hose is 25 mm and 20 mm without metal hose. Non-standard integrated cable can be provided under an individual order.

I	I	I	Cable length to sealing gland
			Ordered in 0.1 m increments Example: 0 0 2 = 0,2 m
			Minimum cable length: 0,2 m
			Maximum cable length: 0,8 m

6. Connection cable for probes with converter on the cable



Encoding description

A	A	A	Connection cable length
0	4	0	4,0 m
0	9	0	9,0 m

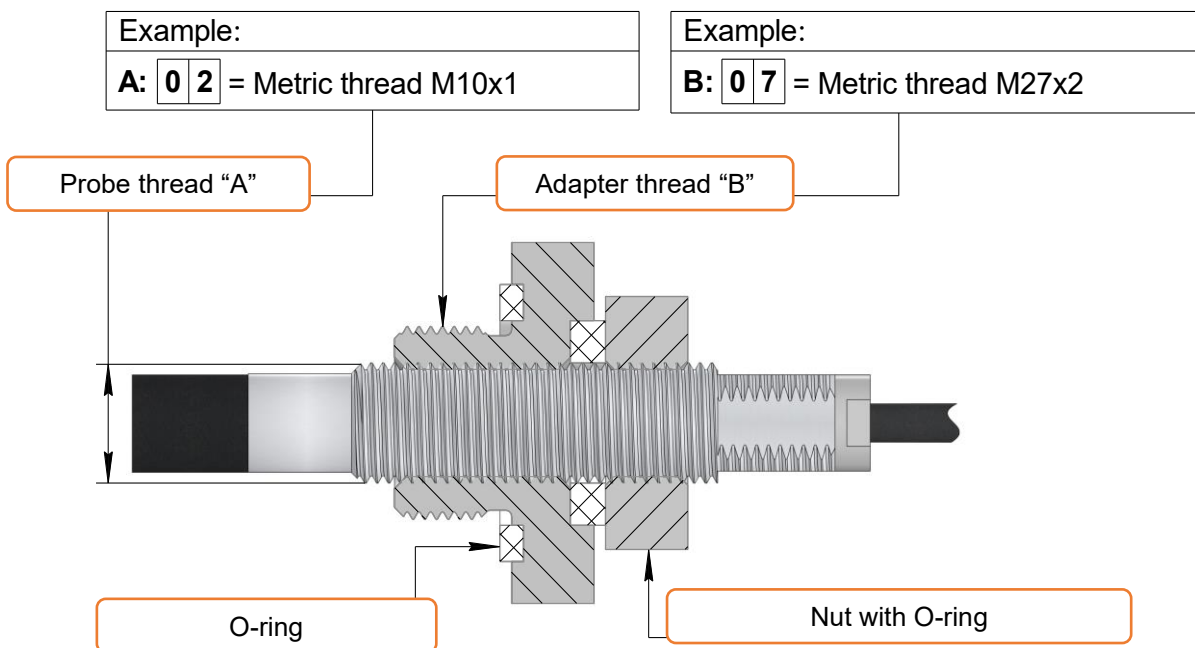
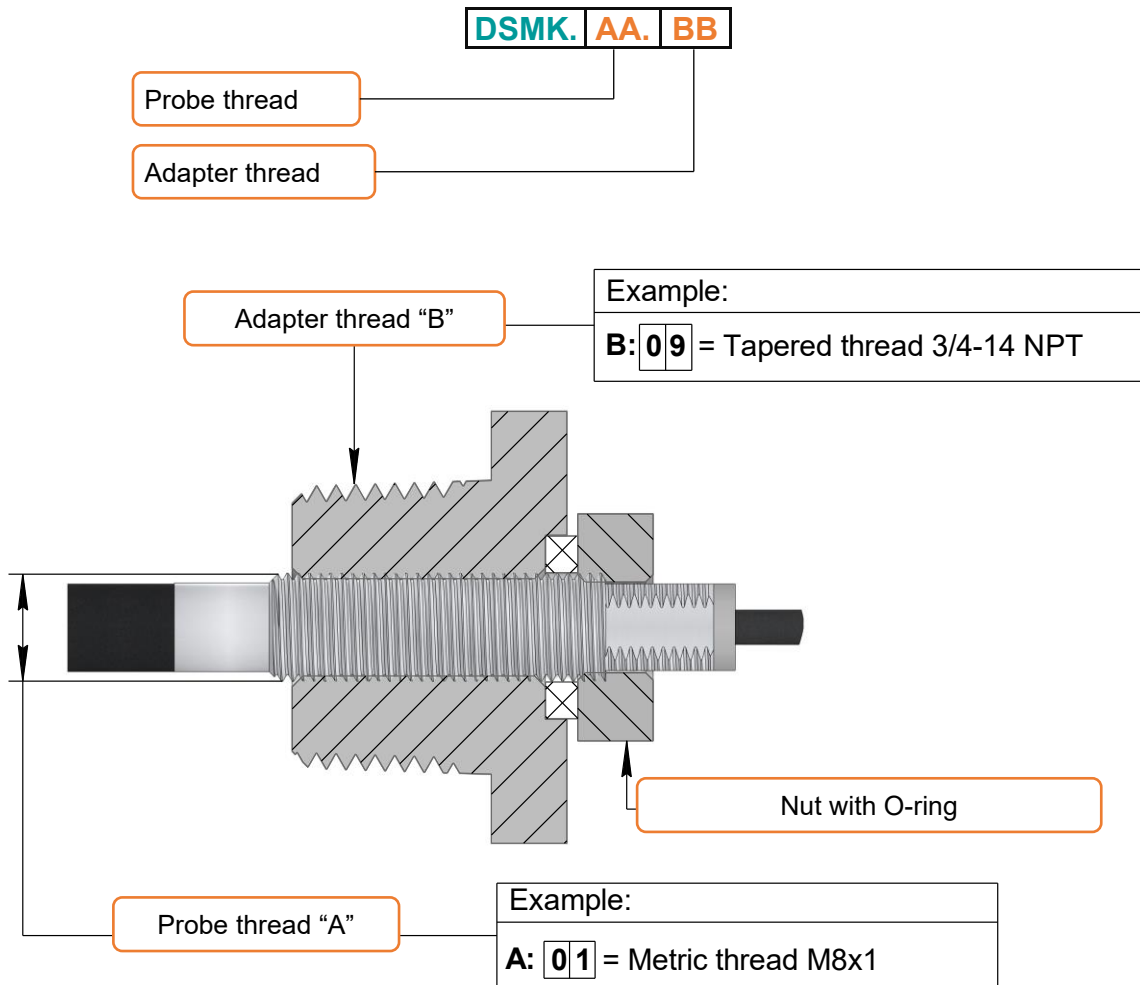
Note: Non-standard lengths of the connection cable can be provided under an individual order.

B	B	B	Connection cable design
D	N	0	Stainless steel metal hose DN6
N	P	0	Stainless steel metal hose DN6 in PVC sheath
N	F	0	Stainless steel metal hose DN in FEP sheath

Note: Maximum cable diameter 5.6 mm, maximum cable diameter in metal bushing 9.7 mm. Non-standard design of the connection cable can be provided under an individual order.

7. Mounting kit for probes with forward mounting.

Operating pressure up to 1.5 MPa.



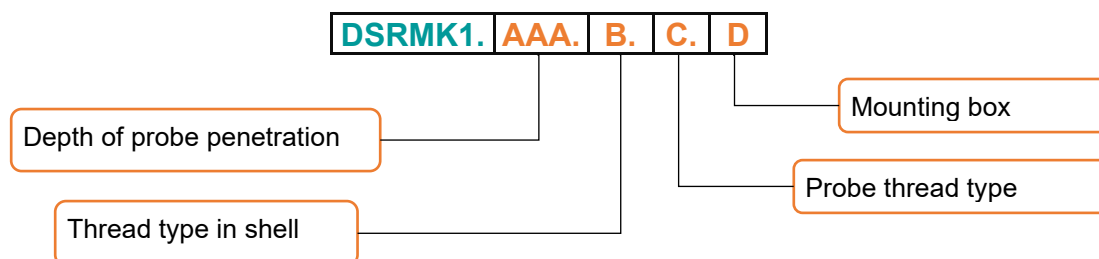
Encoding description

A	A	Probe threads type
0	1	Metric M8x1
0	2	Metric M10x1
0	3	Metric M12x1
0	4	Metric M16x1
0	5	Metric M20x1,5
0	6	Metric M24x1
0	7	Inch 3/8-24 UNF
0	8	Inch 5/8-18 UNF
B	B	Adapter thread type
0	1	Metric M16x1
0	2	Metric M20x1
0	3	Metric M20x1,5
0	4	Metric M24x1
0	5	Metric M24x1,5
0	6	Metric M27x1,5
0	7	Metric M27x2
0	8	Metric M27x3
0	9	Tapered inch 3/4-14 NPT (K3/4" GOST 6111-52)

Table 9: Thread matching table

Adapter thread	Probe threads							
	Metric					Inch		
	M8x1	M10x1	M12x1	M16x1	M20x1,5	3/8-24 UNF	5/8-18 UNF	
Metric M16x1	Yes	Yes	No	No	No	Yes	No	
Metric M20x1			Yes					Yes
Metric M20x1,5								
Metric M24x1			Yes	Yes	Yes			Yes
Metric M24x1,5								
Metric M27x1,5								
Metric M27x2			Yes	Yes	Yes			Yes
Metric M27x3								
Tapered 3/4-14 NPT (K3/4" GOST 6111-52)			Yes	Yes	Yes			Yes

8. Mounting kit for reverse mount probe. Working pressure up to 0.2 MPa.



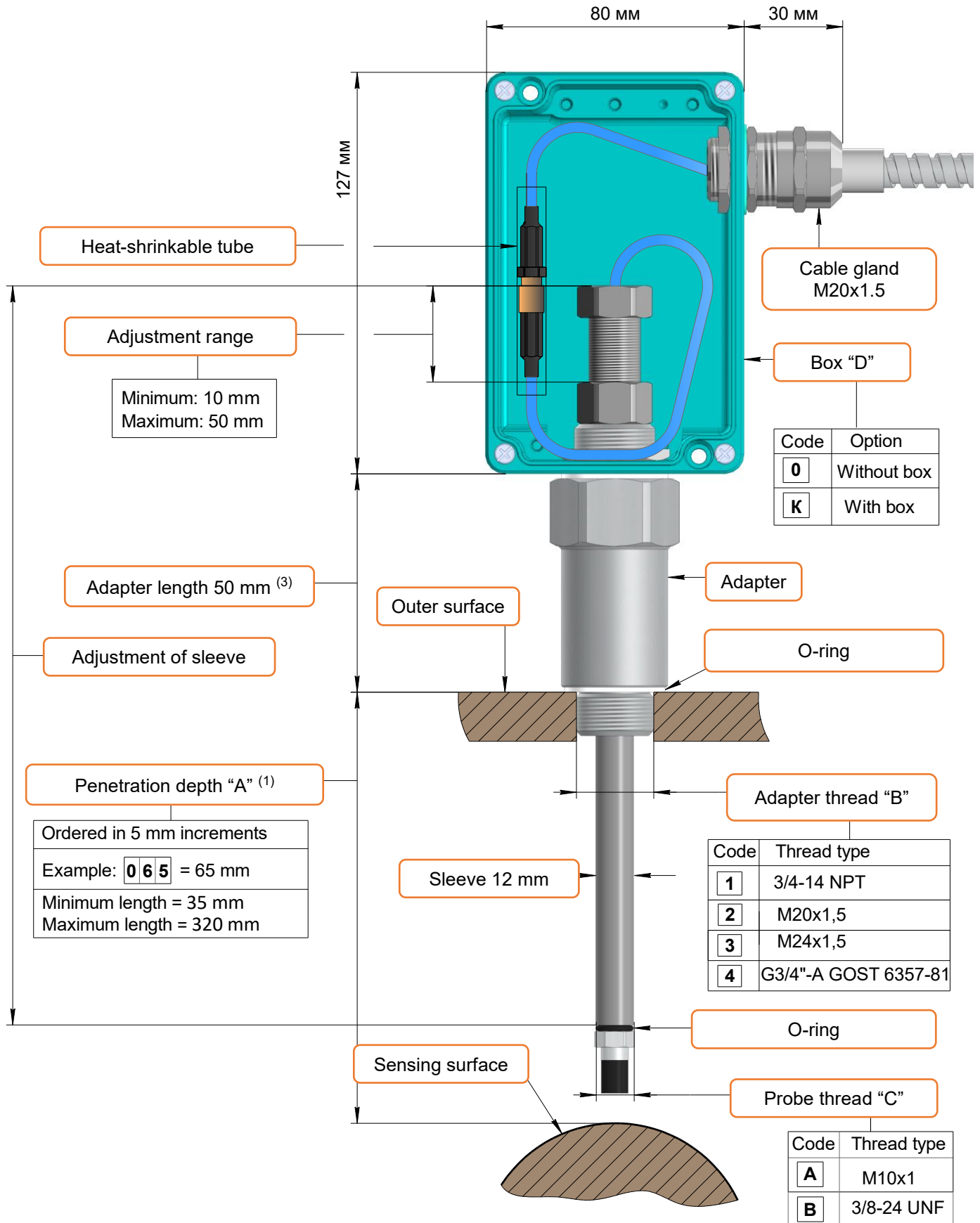
Encoding description

A A A Probe penetration depth ¹	
Ordered in 5 mm increments Example: 0 6 5 = 65 mm	
Minimum depth: 35 mm	
Maximum depth: 320 mm	
B Thread type in the shell	
1	3/4-14 NPT (K3/4" ГОСТ 6111-52)
2	M20x1,5
3	M24x1,5
4	G3/4"- A GOST 6357-81
C Probe thread type	
A	M10x1
B	3/8-24 UNF
D Mounting box	
0	Without box
K	With rectangular aluminum box

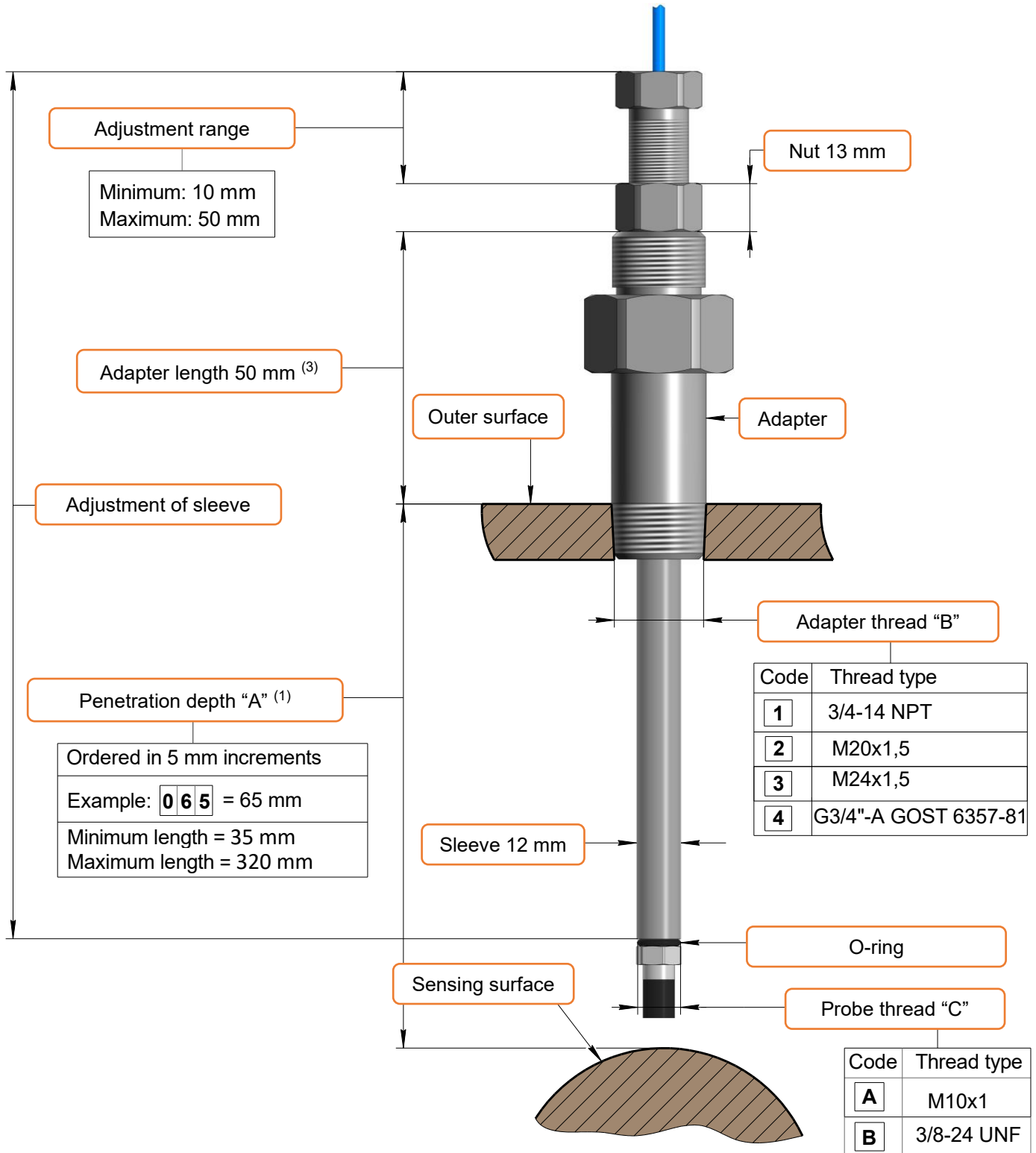
Note:

1. The penetration depth is adjusted by the sleeve within a range of ± 20 mm.
2. The mounting kit can be supplied complete with a Reverse Mount DS probe
3. In the standard option, the length of the adapter is 50 mm. Custom lengths can be provided under an individual order.

Working pressure up to 0.2 MPa
Version with rectangular aluminum box

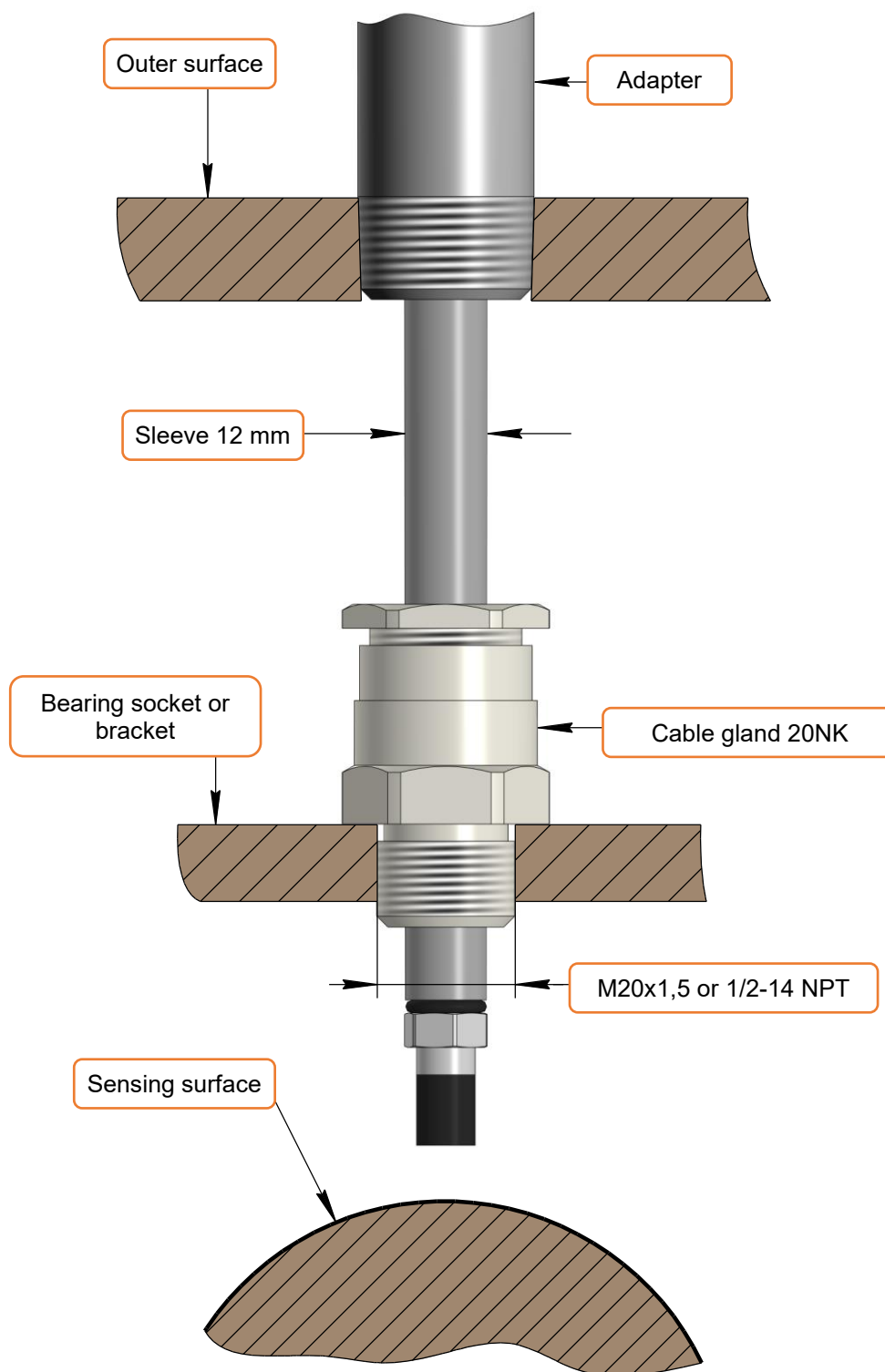


Working pressure up to 0.2 MPa
Version without box



If the length of the adjusting sleeve is more than **300 mm (12 inches)**, additional support (bearing socket or bracket) is required to prevent resonance.

Version with additional bushing support

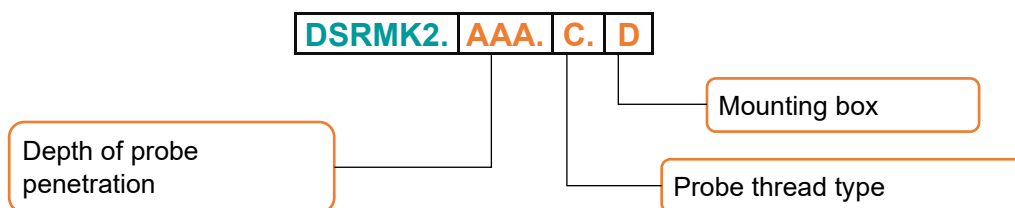


Example of order:

DSRMK1.115.1.A.K

Mounting kit for the DS probe (Reverse Mount) with a penetration depth of 115 mm. With 3/4-14 NPT adapter thread and M10x1 probe thread and with rectangular aluminum box.

Mounting kit for reverse mount probe. Working pressure up to 18 MPa.



Encoding description

A	A	A	Probe penetration depth ¹
To be ordered in increments of 5 mm			Example: 0 6 5 = 65 mm
Minimum depth: 35 mm			
Maximum depth: 320 mm			
C Probe thread type			
A	M10x1		
B	3/8-24 UNF		
D Mounting box			
1	Rectangular aluminum box		
2	Cylindrical stainless steel box		

Note:

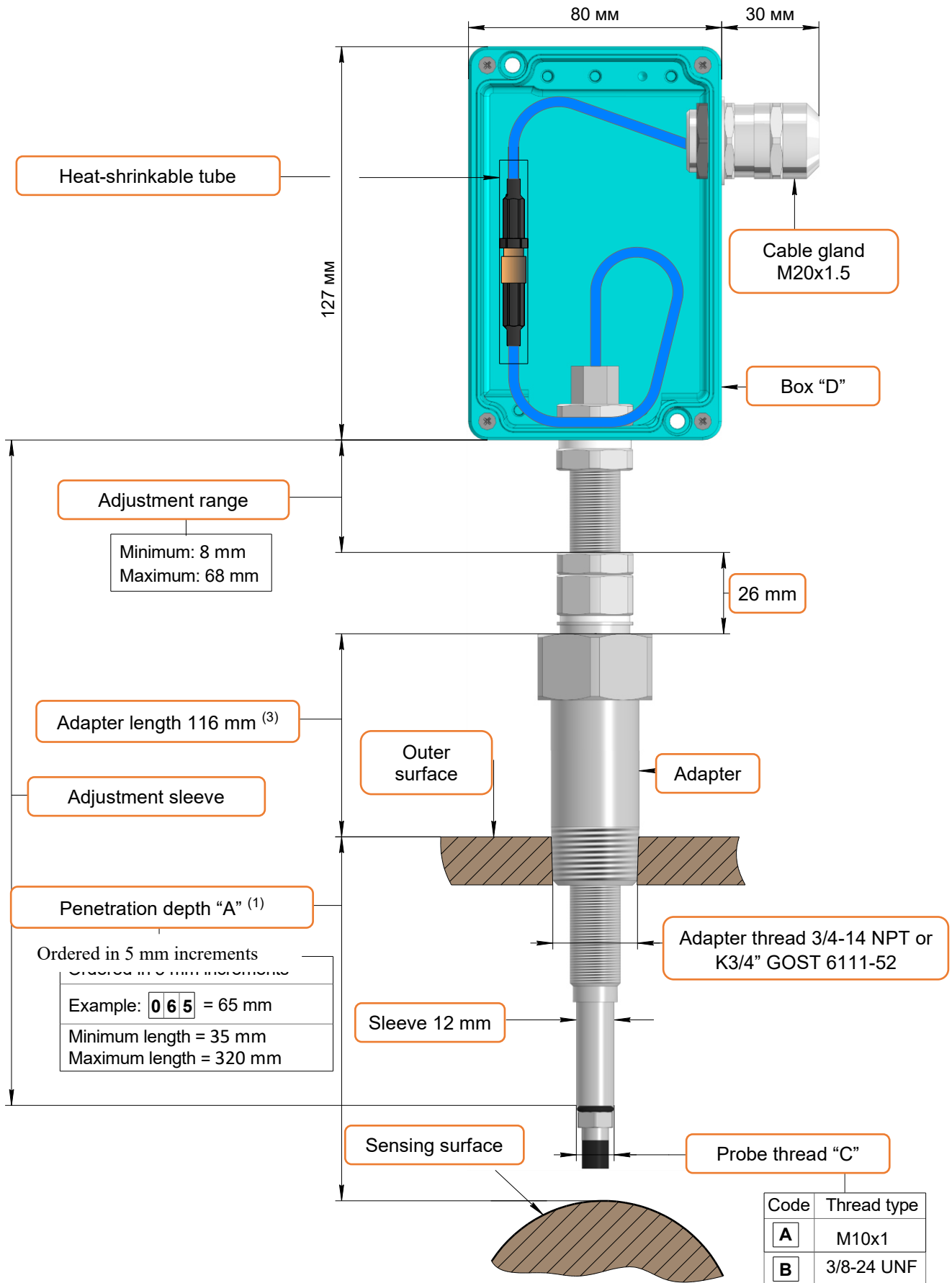
1. The penetration depth is adjustable by the bushing within a range of ± 30 mm.
2. The mounting kit can be supplied complete with a Reverse Mount probe
3. In the standard option, the length of the adapter is 116 mm. Custom lengths are available on request.

Example of order:

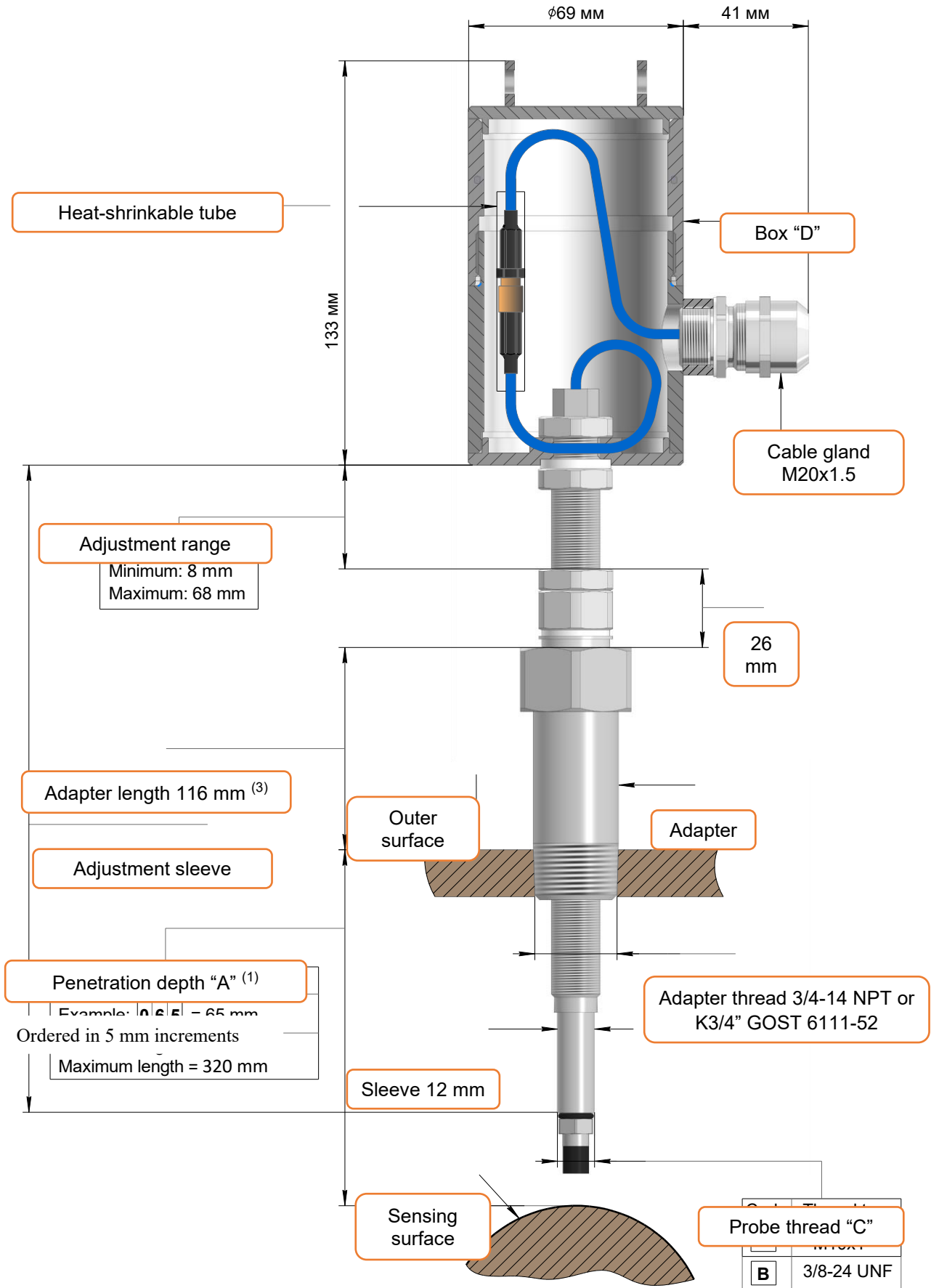
DSRMK2.100.A.1

Mounting kit for the DS probe (Reverse Mount) with a penetration depth of 100 mm. With a M10x1 probe thread and with rectangular mounting box.

Working pressure up to 18 MPa Version with rectangular aluminum box made

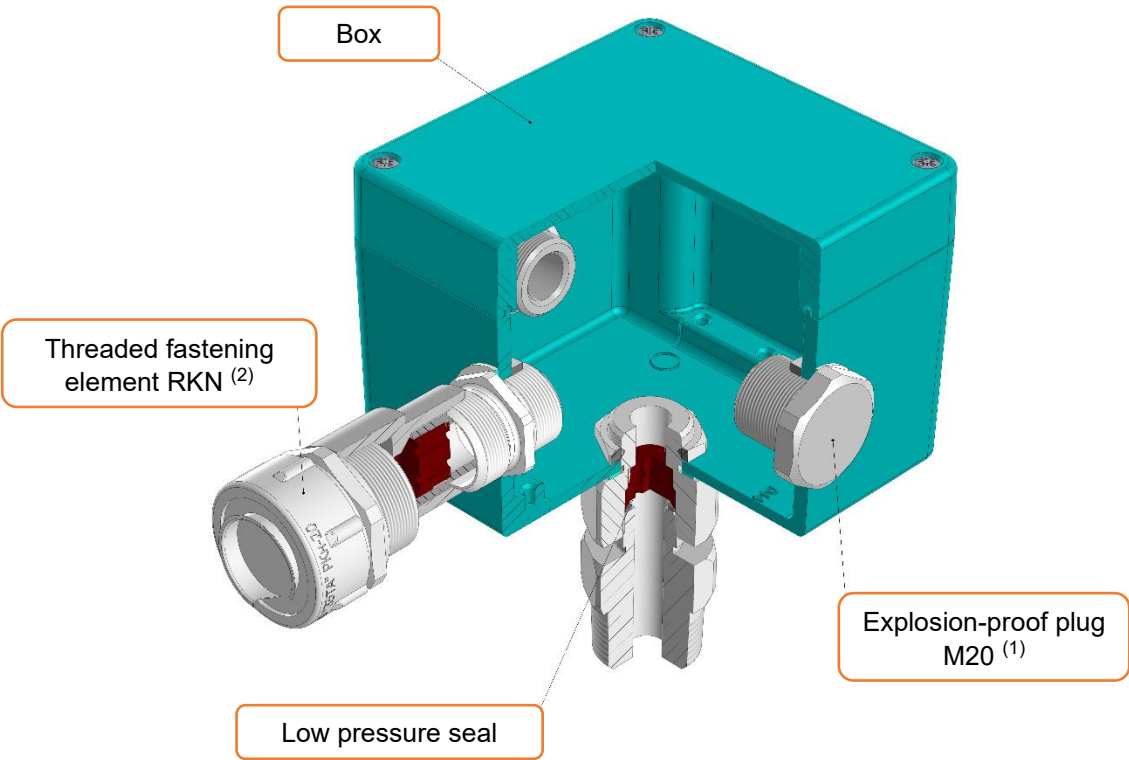


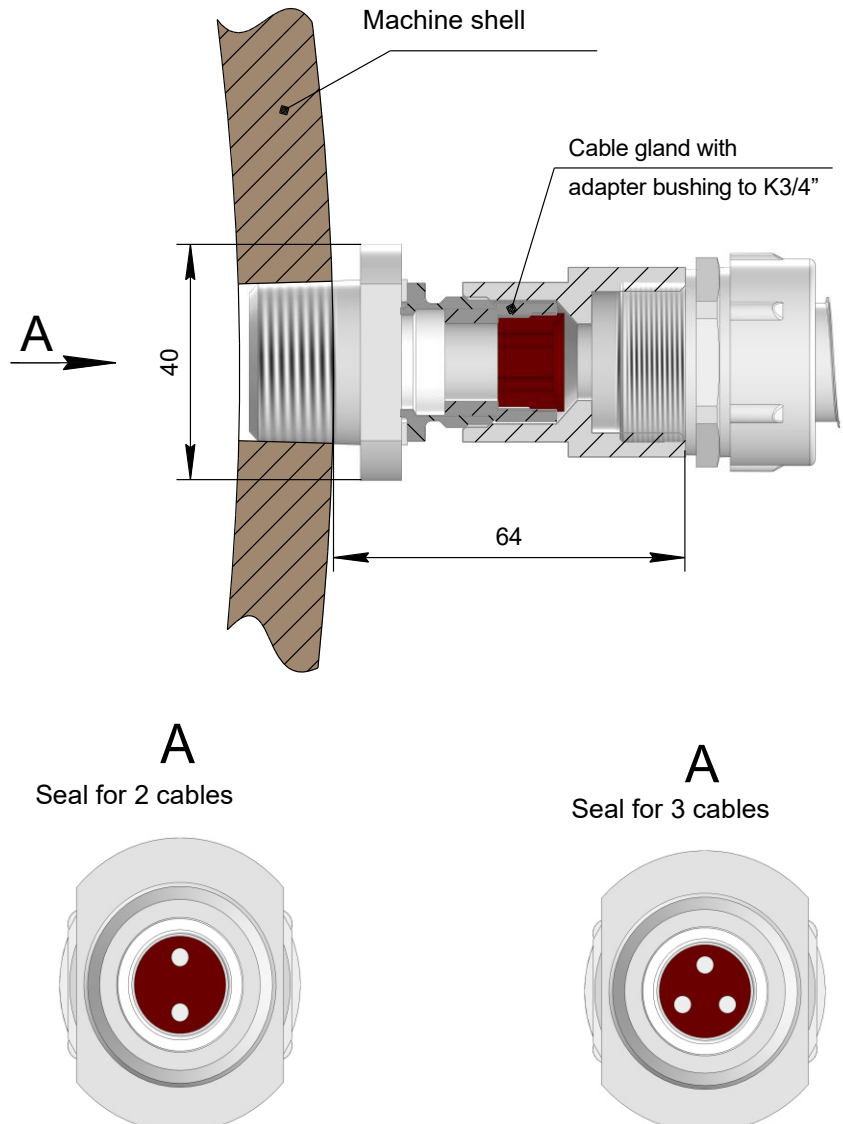
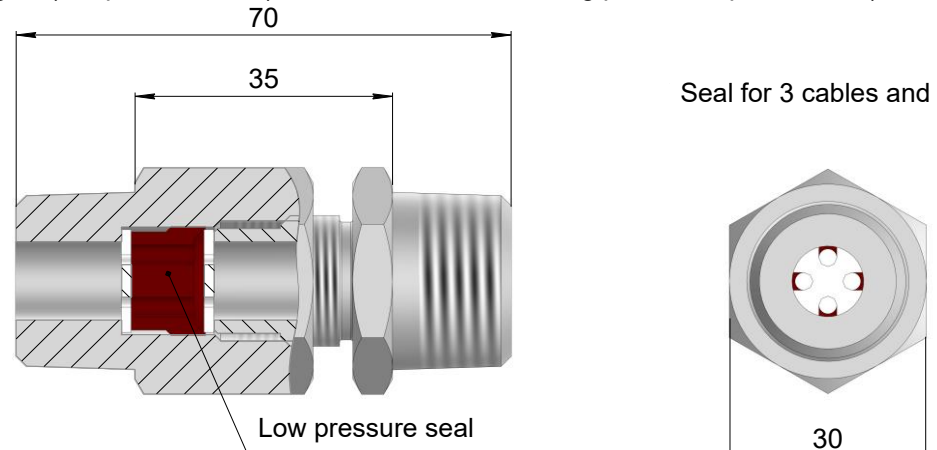
Working pressure up to 18 MPa Version with cylindrical stainless steel box



9. Additional accessories

No.	Description
TIK-NK001	Set of nuts with locking holes and locking wire
TIK-CE001	Clamp for grounding metal hose with bolt and clamp for grounding of metal hose
TIK-KV001	Cable gland M20x1,5 KV1-L1-22M
TIK-KV002	Explosion-proof cable gland 20NK
TIK-MK101	<p>Mounting kit (box and low pressure seal) with K3/4" thread. Working pressure up to 1 MPa (10 atm)</p> <p>Mounting kit (box and low pressure seal) with K3/4" thread. Working pressure up to 1 MPa (10 atm)</p> <p>147</p> <p>Mounting box</p> <p>Threaded fastener</p> <p>137,5</p> <p>50</p> <p>Low pressure seal</p> <p>Machine shell</p> <p>A</p> <p>A</p> <p>Seal for 2 cables</p> <p>Seal for 3 cables</p>

No.	Description
<p>TIK-MK101</p>	 <p>Note:</p> <ol style="list-style-type: none"> 1. In the standard option the TIK-MK101 mounting kit is completed with two explosion-proof M20 plugs. 2. The mounting kit can be supplied with metal hose RKN-15, RKN-18, RKN-20.

No.	Description
<p>TIK-MK102</p>	<p>Mounting kit (cable gland with adapter bushing for K3/4"). Working pressure up to 1 MPa (10 atm)</p>  <p>Machine shell</p> <p>Cable gland with adapter bushing to K3/4"</p> <p>40</p> <p>64</p> <p>A</p> <p>A</p> <p>Seal for 2 cables</p> <p>Seal for 3 cables</p>
<p>TIK-MK103</p>	<p>Mounting kit (low pressure seal) with K3/4" thread. Working pressure up to 1 MPa (10 atm)</p>  <p>70</p> <p>35</p> <p>Low pressure seal</p> <p>Seal for 3 cables and guide</p> <p>30</p>

No.	Description
<p>TIK-RK001</p>	<p>Seal for DSRMK2 mounting kit with working pressure up to 18 MPa</p>



ООО Научно-производственное предприятие «ТИК»
Марии Загуменных ул., 14а
Пермь, Российская Федерация, 614067
+7 (342) 214-75-75
tik@perm.ru
<https://tik.perm.ru>
